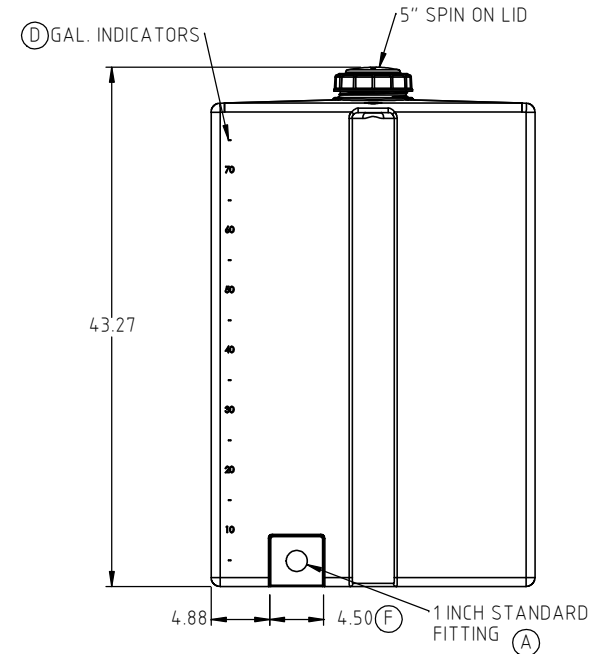
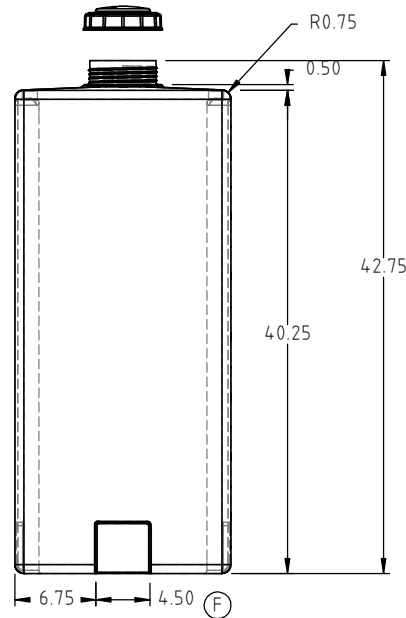
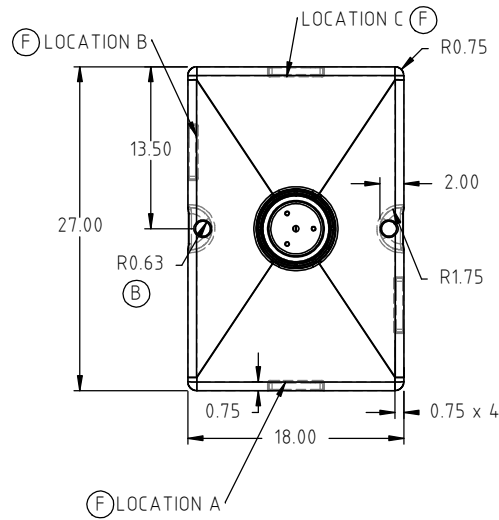


Copyright. All information furnished within this document, electronic file or design correspondence is the property of Den Hartog industries, Inc. and shall not be used, disclosed to others or copied without the expressed written consent of Den Hartog Industries, Inc.



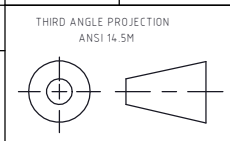
| | | | |
|-----|---|--------------|------|
| F | ALTERNATE FITTING LOCATIONS NOTED FITTING LOCATION WERE 4.25" | DHJ 6/3/13 | 2629 |
| E | MATERIAL WAS 10420 | REH 12/13/12 | 2543 |
| D | CLARIFY GALLON MARKER LOCATION | DHJ 9/24/12 | 2491 |
| C | 40 WAS 44, DRAWING TEMPLATE UPDATED | ADH 8/20/09 | 1915 |
| B | ADD THROUGH HOLE TO DRAWING | 10/27/08 | |
| A | ADD STANDARD FITTING | 6 / 7 / 06 | |
| REV | DESCRIPTION | BY / DATE | CCN |

| | |
|---------------|-----------|
| DRAWN / DATE | MATERIAL |
| DHJ 3/23/98 | 10418 (E) |
| APPRD. / DATE | |
| REH 3/23/98 | |

ALL DIMENSIONS ARE IN DECIMAL INCHES TOLERANCES UNLESS OTHERWISE SPECIFIED

POLYETHYLENE

±1% @ 68°F



SHOT WEIGHT: 40.00 LBS


SHIPPING WEIGHT: (C)

FINISH:

NOTES:

1.) STD. COLOR IS NATURAL

2.) 0.280 NOMINAL WALL



Den Hartog

INDUSTRIES, INC.

Ace Roto-Mold Injection Molding Blow Molding Sowjoy

4010 HOSPERS DRIVE S. BOX 425, HOSPERS, IOWA 51238-0425

| | | | |
|-------------|------|------------------|-----------|
| DESCRIPTION | | ACE 80 GALLON RT | |
| SCALE | N.S. | PART NO. | SP0080-RT |