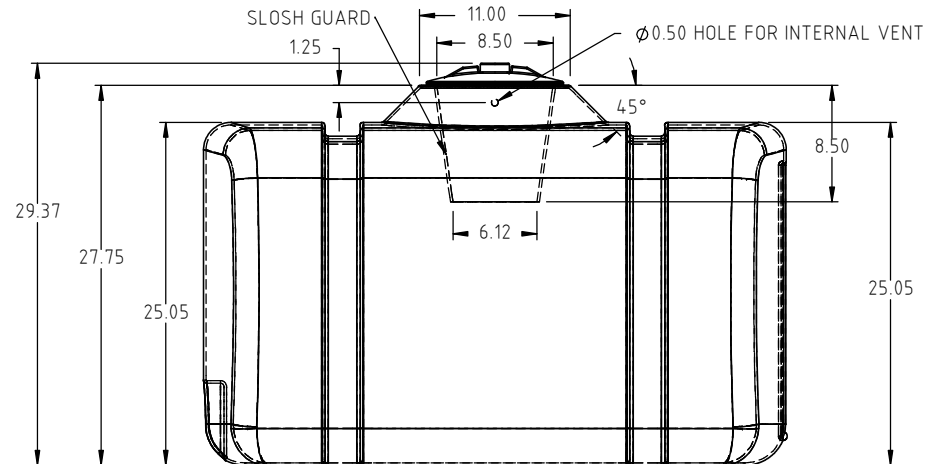
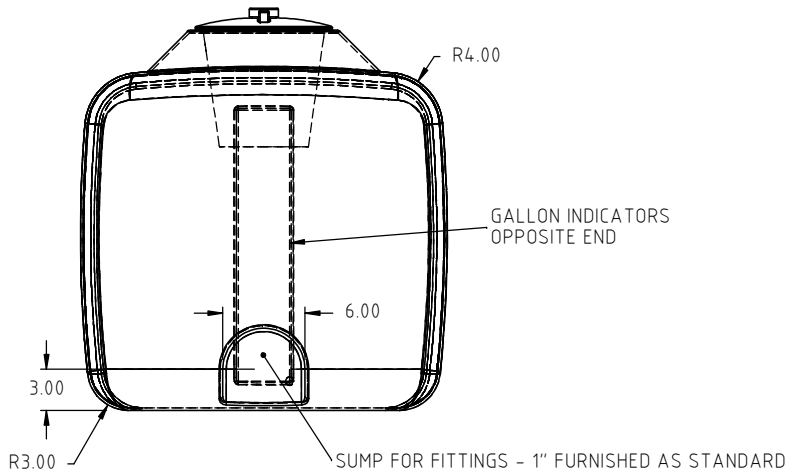
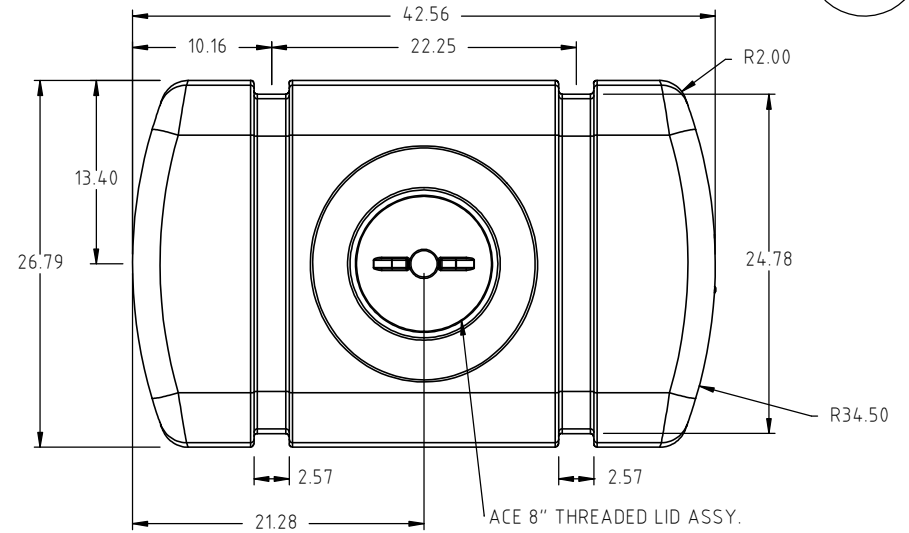
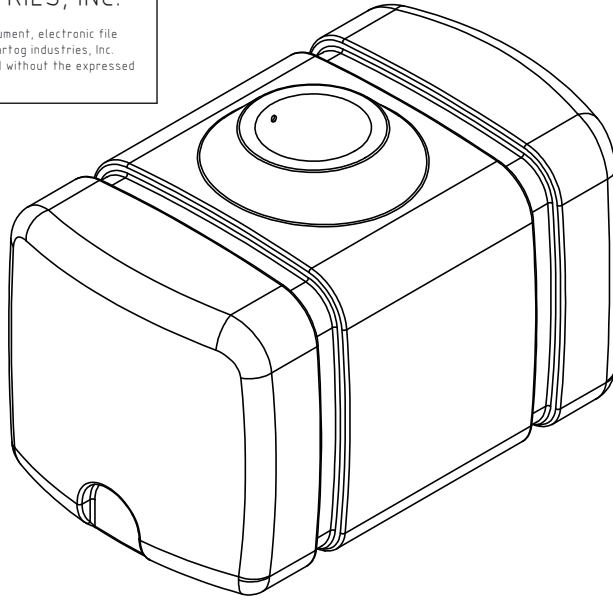


© DEN HARTOG INDUSTRIES, INC.


Copyright. All information furnished within this document, electronic file or design correspondence is the property of Den Hartog industries, Inc. and shall not be used, disclosed to others or copied without the expressed written consent of Den Hartog Industries, Inc.

SP0100-RT

B



				DRAWN / DATE REH / 4/19/99	MATERIAL MOBIL 134
B	TOLERANCE WAS ± .5% @ 68° F	ADH 9/25/12	2494	APPRD. / DATE REH / 4/19/99	
A	FTG WAS ADDED. PORT REMOVED	7/24/01			
REV	DESCRIPTION	BY / DATE	CCN		
ALL DIMENSIONS ARE IN DECIMAL INCHES TOLERANCES UNLESS OTHERWISE SPECIFIED		THIRD ANGLE PROJECTION ANSI 14.5M		SHOT WEIGHT: 48 LBS.	NOTES: 1.) NATURAL COLOR 2.) NOM. WALL .270
POLYETHYLENE (B) METAL DECIMAL ± .125" FRACTION ± 1/4" ANGLE ± 1°				SHIPPING WEIGHT: 49 LBS.	
±1% @ 68° F				FINISH:	



Den Hartog
INDUSTRIES, INC.

Ace Roto-Mold Injection Molding Blow Molding Sowjoy

4010 HOSPERS DRIVE S. BOX 425, HOSPERS, IOWA 51238-0425

DESCRIPTION		100 GAL. TANK	
SCALE	N.S.	PART NO.	SP0100-RT