

PROPRIETARY DATA

PROPERTY OF ACE ROTO-MOLD MFG., INC. INFORMATION FURNISHED HEREIN IS THE PROPERTY OF ACE ROTO-MOLD MFG., INC. AND SHALL NOT BE USED, DISCLOSED TO OTHERS, OR COPIED WITHOUT THE EXPRESSED WRITTEN CONSENT OF ACE ROTO-MOLD MFG., INC. ALL RIGHTS RESERVED.

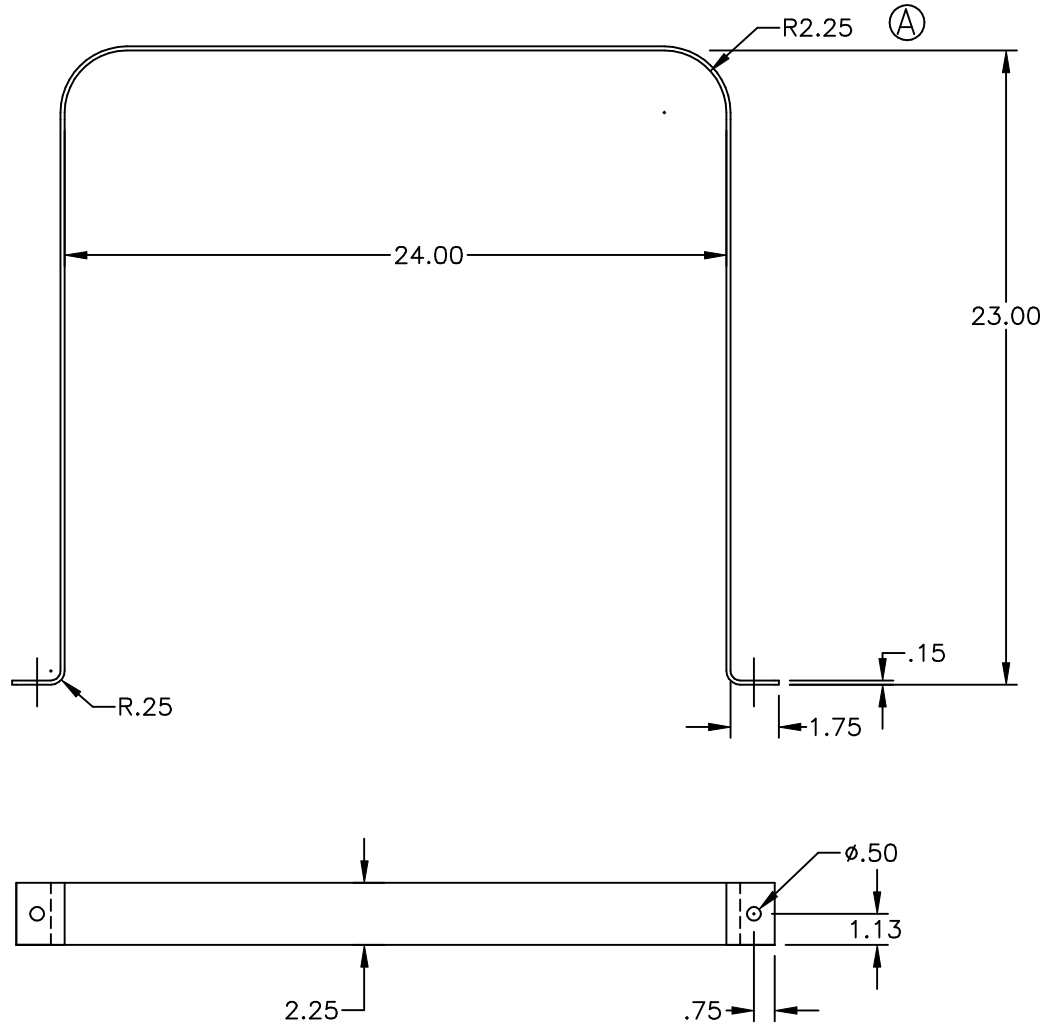
SP0100-SBPS



SP0100-SBP | 2 PER SET

©

BLANK LENGTH: 70.5"



C	ADD TEXT BOX/ADD S TO PART #	4/4/07	GWC	DRAWN / DATE	
B	TOLERANCE WAS 1% @ 68° F	3/13/07	GWC	NVE 6/30/05	
A	CHANGE CORNER RADIUS	9/22/06		APPRD. / DATE	
REV	DESCRIPTION	DATE	APPRD	DHJ 9/27/05	
ALL DIMENSIONS ARE IN DECIMAL INCHES TOLERANCES UNLESS OTHERWISE SPECIFIED DECIMAL +/- .064" FRACTION +/- 1/8" ANGLE +/- 1°				THIRD ANGLE PROJECTION ANSI 14.5M	NOTES: 1. POWDER COATED 2. WEIGHT 11 LBS.

<p>ACE ROTO-MOLD A DIVISION OF DEN HARTOG INDUSTRIES, INC. 4018 HWY. 60 BLVD., BOX 421, HOSPERS, IOWA 51238</p>			
		CLIENT / DESCRIPTION	100 GALLON RECTANGLE POWDER-COATED STEEL BAND
SCALE	N.S.	PART NO.	SP0100-SBPS