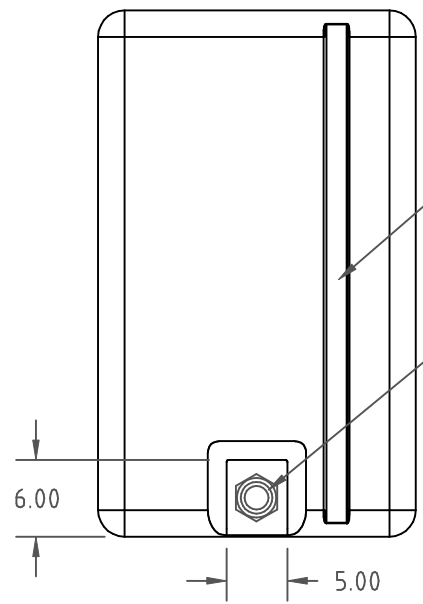
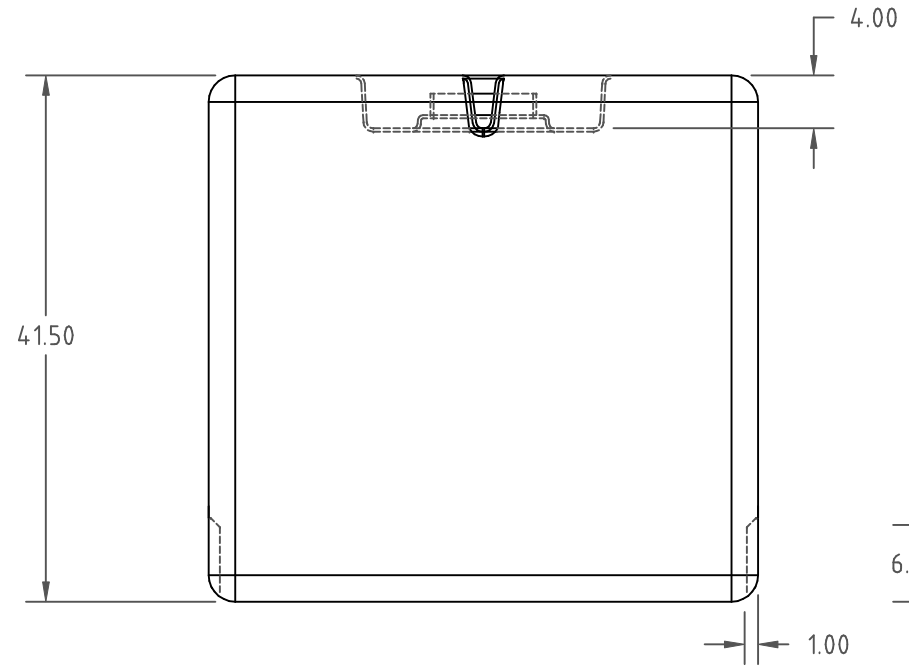
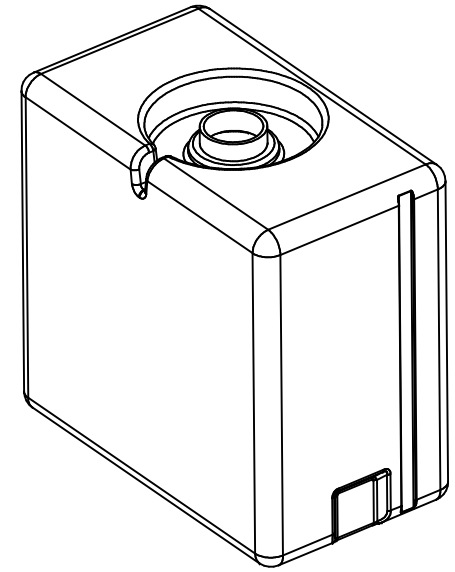


12414 7" SPIN ON LID
AND 12460 LANYARD
NOT SHOWN



GALLON MARKERS
INDICATED IN
10 GALLON LEVELS

FITTING SUMP EACH END
2" FITTING IS STANDARD

| | | | | | |
|--------------|-----------------------------|---------|-------|--------------------------------------|---------------------------------|
| C | CHANGE TO A 7" LID CCN 1308 | 6/29/07 | GWC | DRAWN / DATE | MATERIAL / SHOT WEIGHT |
| B | UPDATE TITLE BLOCK | 3/17/06 | | REH / 9/14/99 | |
| A | CHANGE 6" TO 5" LID | 3/10/06 | | APPRD. / DATE | 80 LB. |
| REV | DESCRIPTION | DATE | APPRD | GWC / 6/29/07 | |
| | | | | THIRD ANGLE PROJECTION ANSI 14.5M | NOTES: |
| ± 1% @ 68° F | | | | | NATURAL COLOR NOM. WALL .320 |

| | |
|--|-------------------------|
| ACE ROTO-MOLD A DIVISION OF DEN HARTOG INDUSTRIES, INC. 4018 HWY. 60 BLVD. BOX 421, HOSPERS, IOWA 51238 | |
| CLIENT / DESCRIPTION 150 GAL. TANK LESS CAGE | |
| SCALE | PART NO. SP0150-PPTK |