

PROPRIETARY DATA

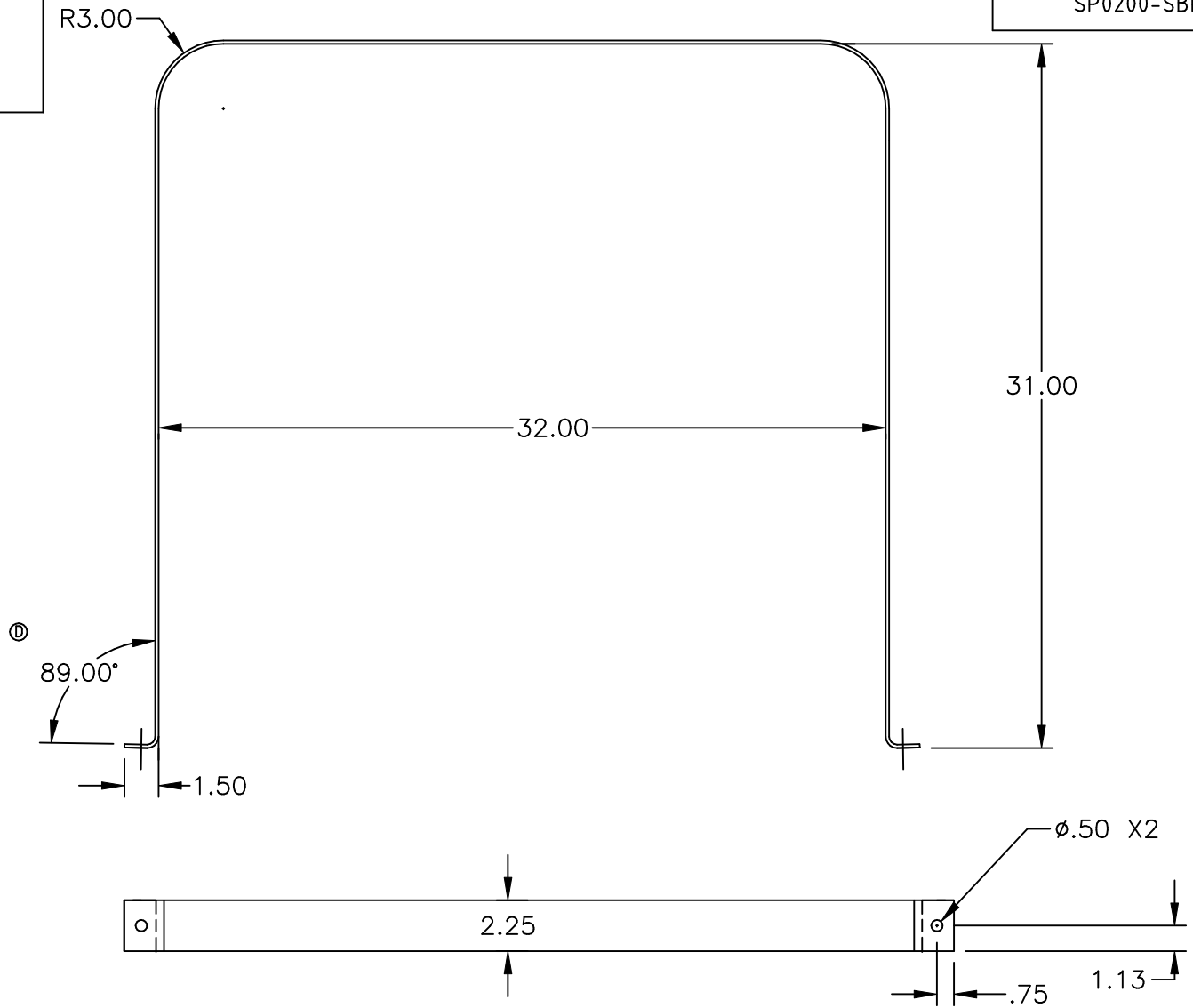
PROPERTY OF ACE ROTO-MOLD MFG., INC. INFORMATION FURNISHED HEREIN IS THE PROPERTY OF ACE ROTO-MOLD MFG., INC. AND SHALL NOT BE USED, DISCLOSED TO OTHERS, OR COPIED WITHOUT THE EXPRESSED WRITTEN CONSENT OF ACE ROTO-MOLD MFG., INC. ALL RIGHTS RESERVED.

SP0200-SBPS

D

SP0200-SBP | 2 PER SET

BLANK LENGTH: 94"



D	89° WAS 90°	CCN 1527	11/21/07	ADH
C	ADD TEXT BOX/ADD S TO PART #		4/3/07	GWC
B	TOLERANCE WAS 1% @ 68° F		3/13/07	GWC
A	UPDATED PRINT, CORRECTED WEIGHT		6/20/06	NVE
REV	DESCRIPTION	DATE	APPRD	

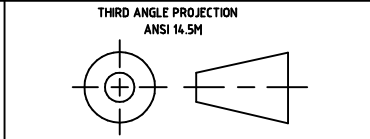
DRAWN / DATE	MATERIAL
NVE 6/30/05	10 GA (.1345) MILD STEEL PC
APPRD. / DATE	
DHJ 9/27/05	

NOTES:
 1. POWDER COATED - SILVER COLOR
 2. WEIGHT 8 LBS.

Ace Roto-Mold
 A DIVISION OF DEN HARTOG INDUSTRIES, INC.
 4018 HWY. 60 BLVD., BOX 421, HOSPERS, IOWA 51238

CLIENT / DESCRIPTION: 200 GALLON RECTANGLE
 POWDER-COATED STEEL BAND

ALL DIMENSIONS ARE IN DECIMAL INCHES
 TOLERANCES UNLESS OTHERWISE SPECIFIED
 DECIMAL +/- .064"
 FRACTION +/- 1/8"
 ANGLE +/- 1°



SCALE	N.S.	PART NO.	SP0200-SBPS
-------	------	----------	-------------