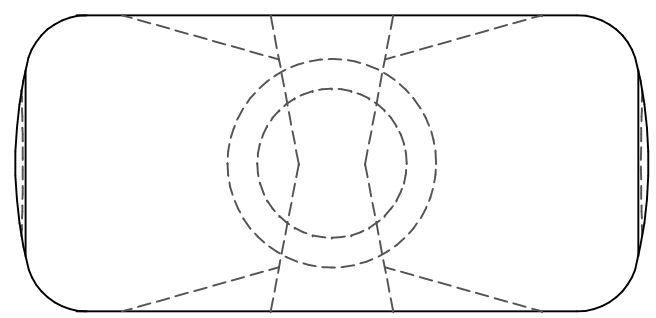
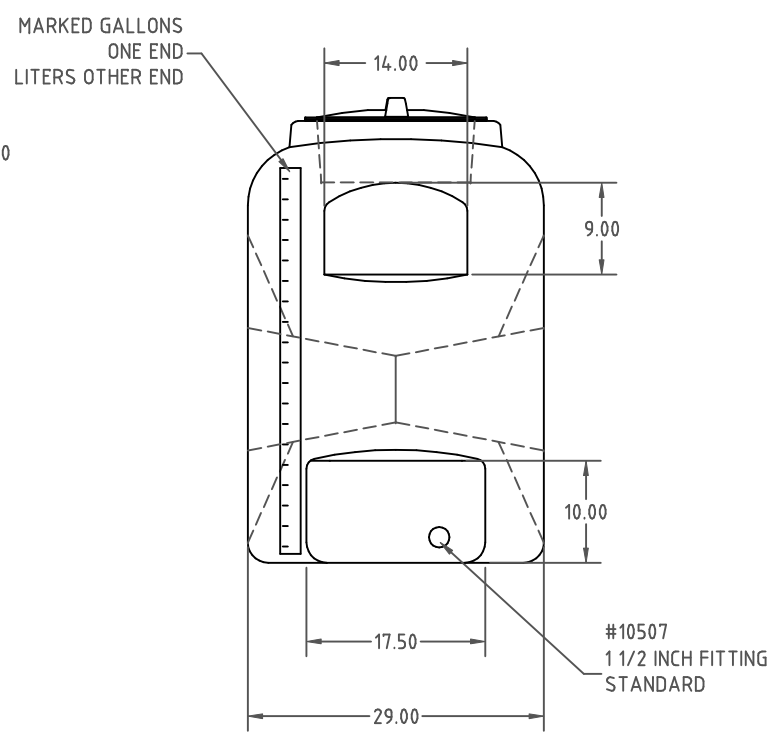
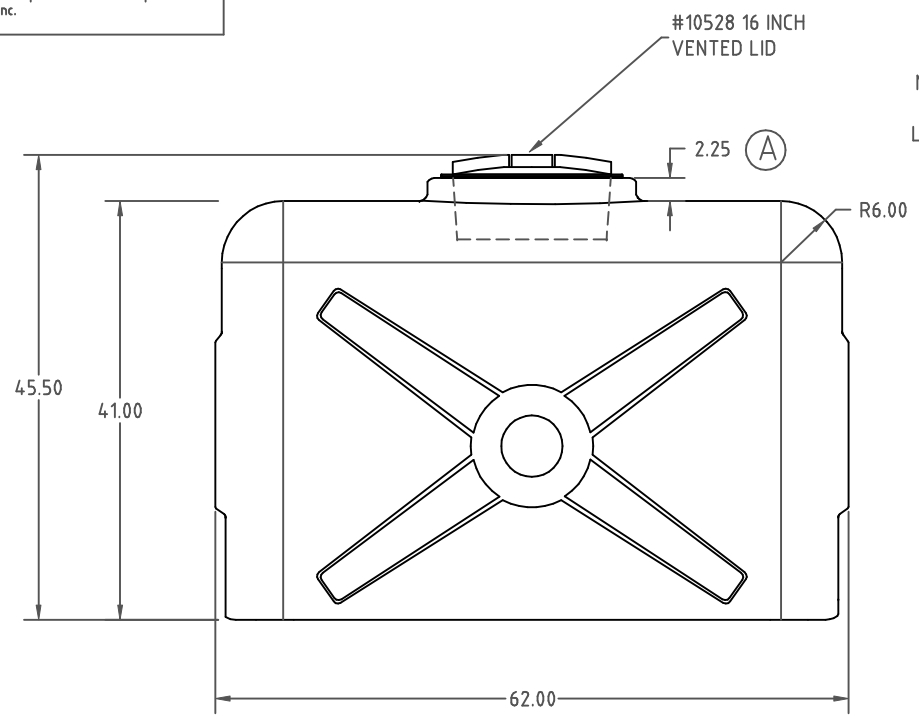


Copyright. All information furnished within this document, electronic file or design correspondence is the property of Den Hartog industries, Inc. and shall not be used, disclosed to others or copied without the expressed written consent of Den Hartog industries, Inc.



		DRAWN / DATE DHJ 4/21/08		MATERIAL 10420 3 MELT RESIN
A CHANGED LID STEP - WAS .25		4/24/08	DHJ	
A REDRAWN		4/24/08	DHJ	
REV	DESCRIPTION	BY / DATE	CCN	APPRD. / DATE REH 4/21/08
ALL DIMENSIONS ARE IN DECIMAL INCHES TOLERANCES UNLESS OTHERWISE SPECIFIED		THIRD ANGLE PROJECTION ANSI 14.5M		SHOT WEIGHT: 113 LBS.
POLYETHYLENE		METAL DECIMAL ± .125" FRACTION ± 1/4" ANGLE ± 1°		SHIPPING WEIGHT: 115 LBS.
±1% @ 68° F				FINISH:
				NOTES: 1.) .300 NOM. WALL



Den Hartog
INDUSTRIES, INC.

Ace Roto-Mold Injection Molding Blow Molding Sowjoy
010 HOSPERS DRIVE S. BOX 425, HOSPERS, IOWA 51238-0425

DESCRIPTION 250 GALLON UTILITY TANK	
SCALE N.S.	PART NO. SP0250-UT