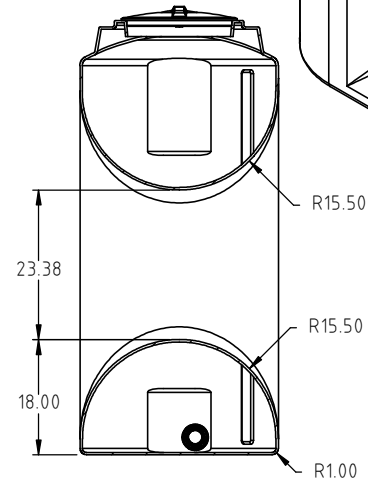
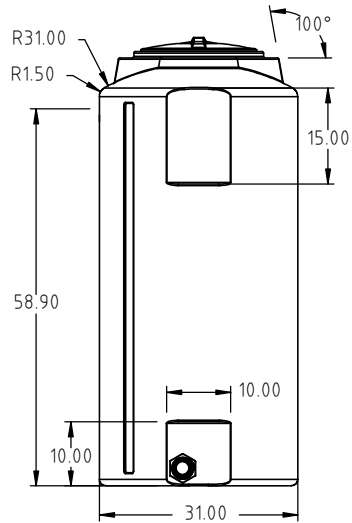
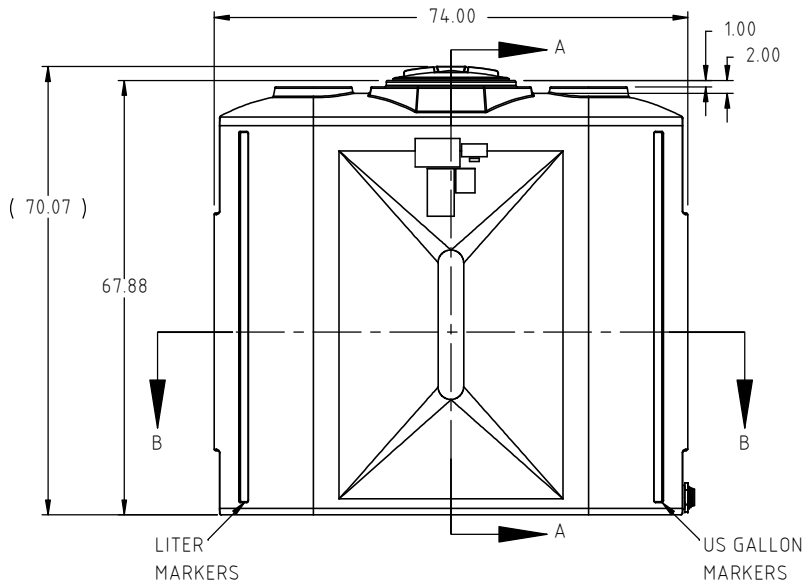
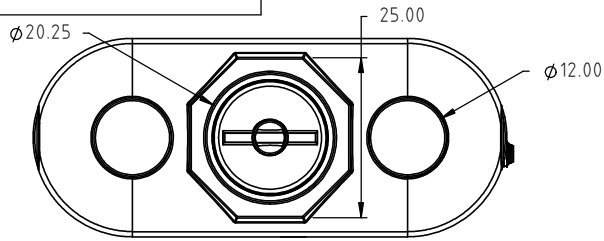


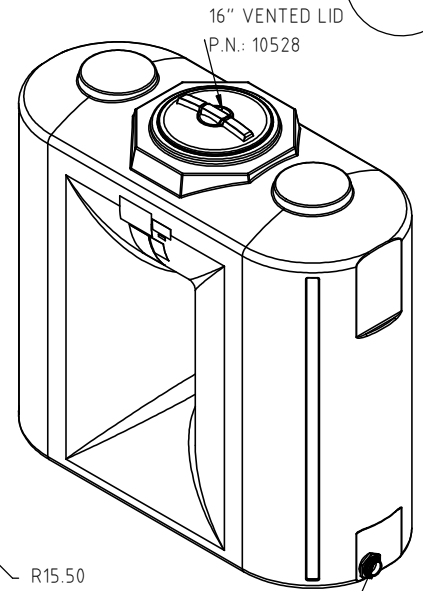
© DEN HARTOG INDUSTRIES, INC.

Copyright. All information furnished within this document, electronic file or design correspondence is the property of Den Hartog Industries, Inc. and shall not be used, disclosed to others or copied without the expressed written consent of Den Hartog Industries, Inc.

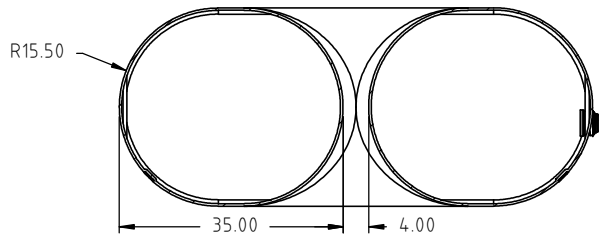
SP0500-UT



SECTION A-A
SCALE 1 : 30



2" FPT FITTING
IS STANDARD.
P.N.: 10508
(OFFSET FROM P/L)



SECTION B-B
SCALE 1 : 30

				DRAWN / DATE ADH 9/26/17	MATERIAL
				APPRD. / DATE REH 3/13/18	10538
REV	DESCRIPTION	BY / DATE	CCN	SHOT WEIGHT: 221 LBS.	NOTES: 1.) NOM. WALL .375
	ALL DIMENSIONS ARE IN DECIMAL INCHES TOLERANCES UNLESS OTHERWISE SPECIFIED			SHIPPING WEIGHT: 223 LBS.	
	POLYETHYLENE	THIRD ANGLE PROJECTION ANSI 14.5M		FINISH:	
	±1% @ 68°F				
	METAL DECIMAL ± .125" FRACTION ± 1/4" ANGLE ± 1°				



Den Hartog
INDUSTRIES, INC.

Acra Roto-Mold Injection Molding Blow Molding Sowjoy

4010 HOSPERS DRIVE S. BOX 425, HOSPERS, IOWA 51238-0425

DESCRIPTION	500 GALLON UTILITY TANK	
SCALE	N.S.	PART NO. SP0500-UT