

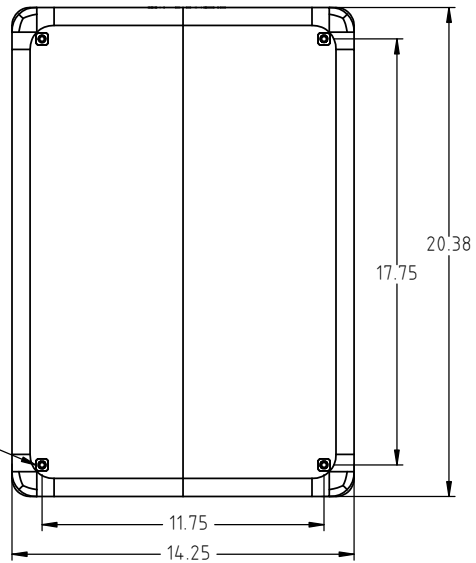
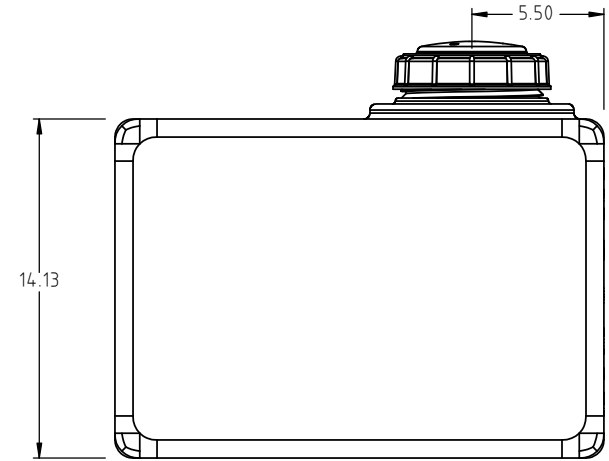
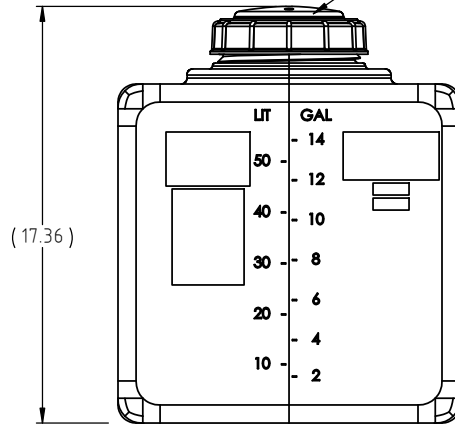
© DEN HARTOG INDUSTRIES, INC.

Copyright. All information furnished within this document, electronic file or design correspondence is the property of Den Hartog Industries, Inc. and shall not be used, disclosed to others or copied without the expressed written consent of Den Hartog Industries, Inc.

SPBM0016-MM

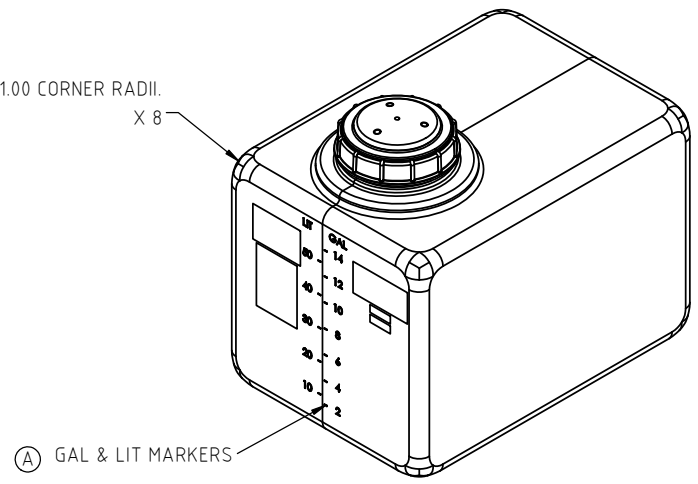
B

ACE 5" VENTED LID ASSEMBLY #13696

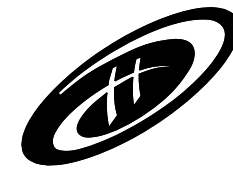


5/16-18 THREADED NYLON INSERTS
x 4
DHI P.N.: 19382

R1.00 CORNER RADII.
X 8



B	1 LB. ADDED TO WEIGHT.	ADH	11/5/2021	4204	DRAWN / DATE ADH 1/20/2020	MATERIAL : 80001
A	ADD LITER MARKS, CORRECT GAL MARKS	BPL	1/27/2021	4032	APPRD. / DATE REH 4/10/2020	
REV.	DESCRIPTION	BY	DATE	CCN		
ALL DIMENSIONS ARE IN DECIMAL INCHES TOLERANCES UNLESS OTHERWISE SPECIFIED		THIRD ANGLE PROJECTION ANSI 14.5M			SHOT WEIGHT: 10 LBS.	NOTES: 1) NATURAL COLOR
POLYETHYLENE ±1% @ 68°F		METAL DECIMAL ± .125" FRACTION ± 1/4" ANGLE ± 1°			SHIPPING WEIGHT: 11 LBS.	
					FINISH:	



Den Hartog
INDUSTRIES, INC.

Ace Roto-Mold • Injection Molding • Blow Molding • SowJoy
4010 HOSPERS DRIVE S. BOX 425, HOSPERS, IOWA 51238-0425

DESCRIPTION ACE 16 GALLON RECTANGULAR TANK - BLOW MOLDED		
SCALE N.S.	PART NO. SPBM0016-MM	SHEET. 1 OF 1