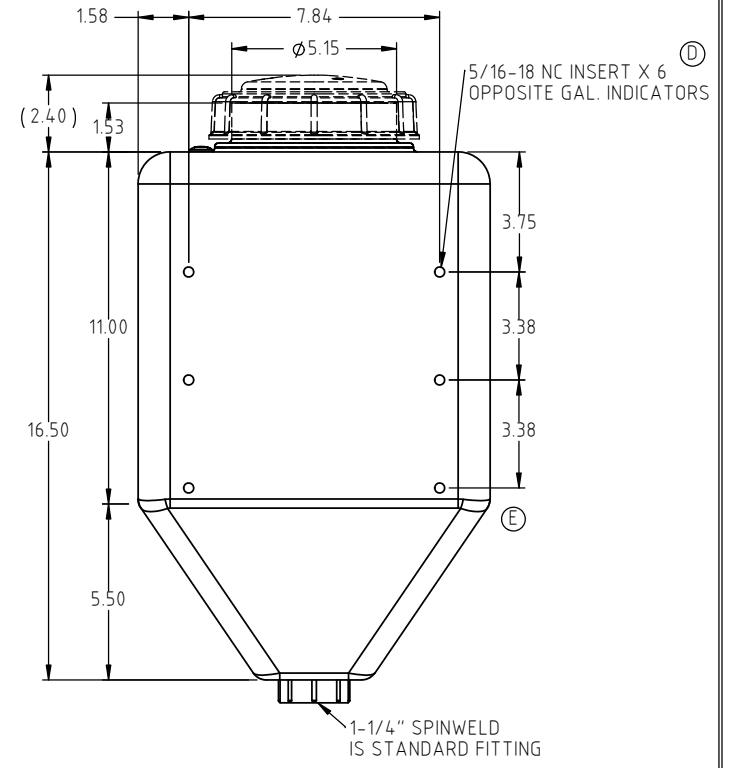
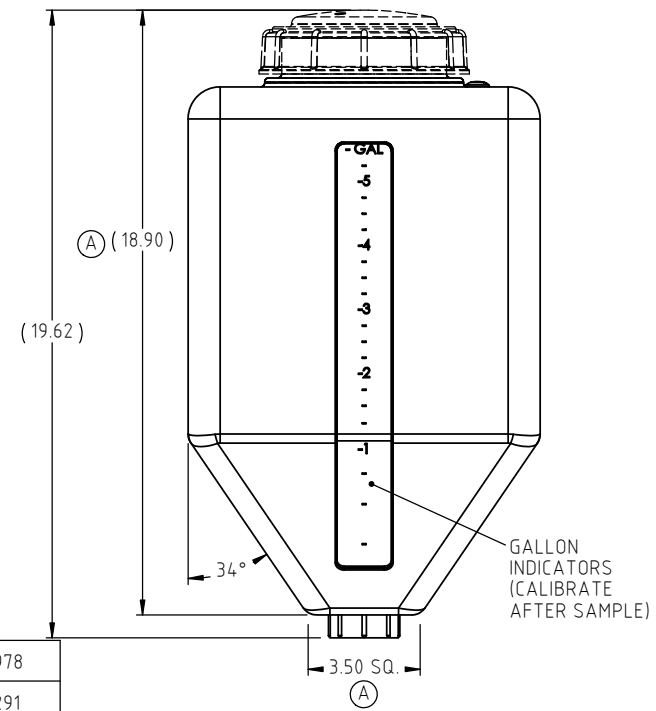
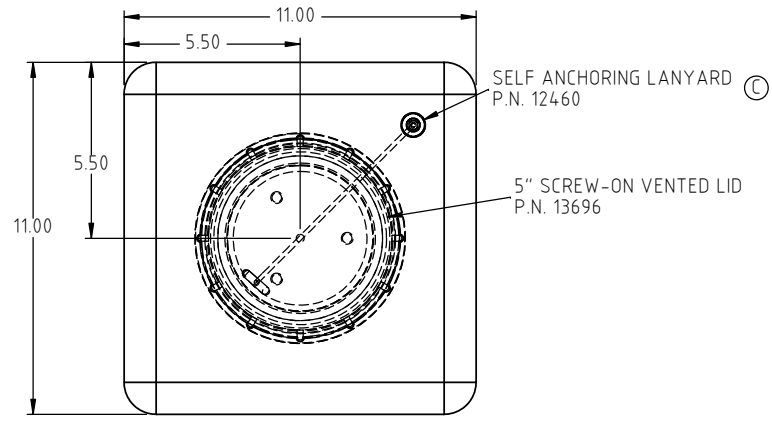


© DEN HARTOG INDUSTRIES, INC.

Copyright. All information furnished within this document, electronic file or design correspondence is the property of Den Hartog Industries, Inc. and shall not be used, disclosed to others or copied without the expressed written consent of Den Hartog Industries, Inc.

SPBM05-SQ5

E



E	DIMENSION REMOVED.	ADH 6/24/20	3978
D	5/16 INSERT TYPO CORRECTED.	ADH 9/28/16	3291
C	LANYARD LOCATION CORRECTED	ADH 5/13/15	3065
B	REVISION LEVEL CORRECTED.	ADH 4/10/15	3058
A	DIMENSIONS/DRAWING TEMPLATE UPDATED TO BE BLOW MOLDED	ADH 10/17/13	2720
REV	DESCRIPTION	BY / DATE	CCN

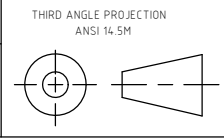
DRAWN / DATE	MATERIAL
REH 1/16/97	WHITE=80001
APPRD. / DATE	YELLOW=80001 80003
REH 1/16/97	



Den Hartog
INDUSTRIES, INC.

Ace Roto-Mold Injection Molding Blow Molding Sowjoy
4010 HOSPERS DRIVE S. BOX 425, HOSPERS, IOWA 51238-0425

ALL DIMENSIONS ARE IN DECIMAL INCHES
TOLERANCES UNLESS OTHERWISE SPECIFIED
POLYETHYLENE METAL
DECIMAL ± .125"
FRACTION ± 1/4"
ANGLE ± 1°
±1% @ 68°F



THIRD ANGLE PROJECTION ANSI 14.5M	SHOT WEIGHT: 5 LBS	NOTES:
	SHIPPING WEIGHT: 5.50 LBS	1.) SHIP PART W/CAP INSTALLED
	FINISH:	

DESCRIPTION	ACE 5 GAL. MINI-INDUCTOR TANK-5" LID	
SCALE	N.S.	PART NO. SPBM05-SQ5