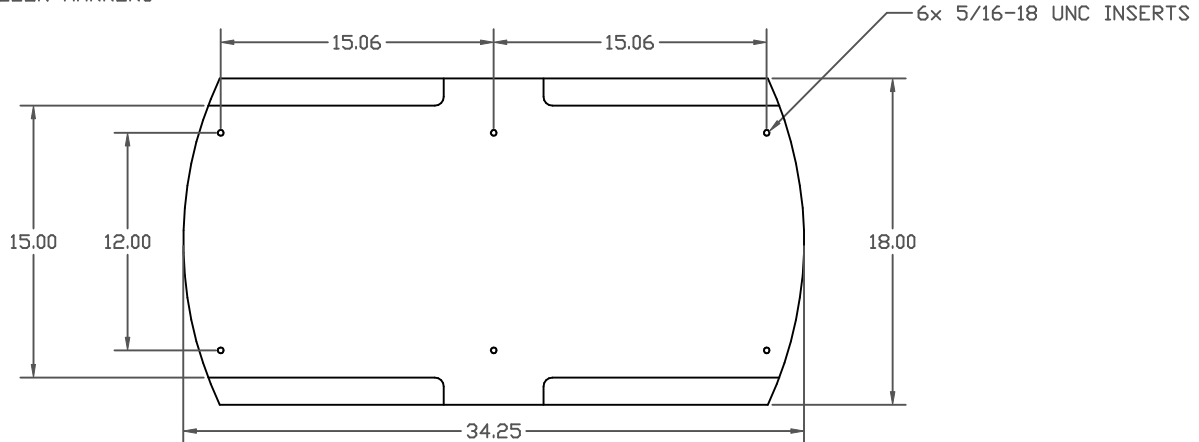
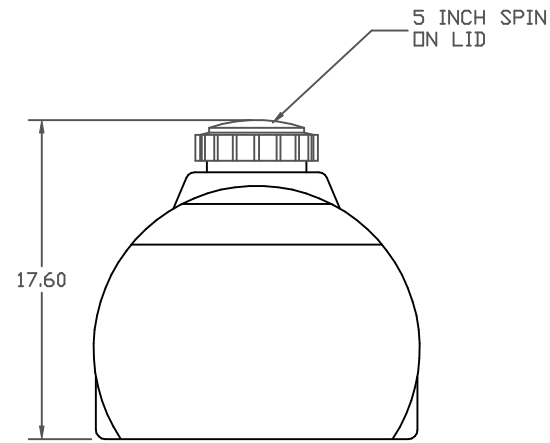
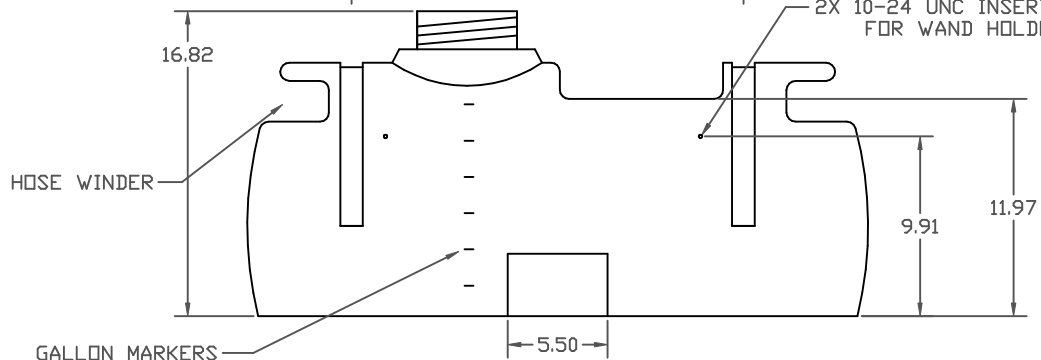
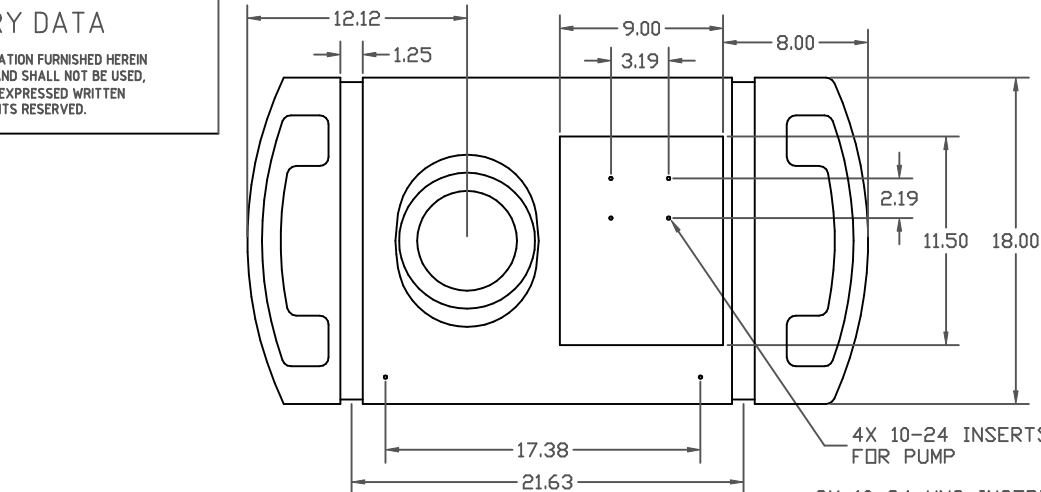


PROPRIETARY DATA

PROPERTY OF ACE ROTO-MOLD MFG., INC. INFORMATION FURNISHED HEREIN IS THE PROPERTY OF ACE ROTO-MOLD MFG., INC. AND SHALL NOT BE USED, DISCLOSED TO OTHERS, OR COPIED WITHOUT THE EXPRESSED WRITTEN CONSENT OF ACE ROTO-MOLD MFG., INC. ALL RIGHTS RESERVED.

SS0025-18

B



| | | | |
|--------------------------------------|------------------------|---|-------------------------------|
| DRAWN / DATE | | MATERIAL | |
| B | ADD OVERALL HEIGHT DIM | 2/26/07 | DHJ 9/15/03 |
| APPRD. / DATE | | HDPE OR EQUIVALENT | |
| A | CHANGE PART # | 9/28/06 | REFERENCE MATERIAL DATA SHEET |
| REV | DESCRIPTION | DATE | APPRD. |
| | | | ADH 11/19/07 |
| THIRD ANGLE PROJECTION ANSI 14.5M | | NOTES: | |
| | | 1. NOM. WALL .175 2. SHOT WEIGHT 13 LBS. | |

| | |
|---|-----------|
| <p>ACE ROTO-MOLD A DIVISION OF DEN HARTOG INDUSTRIES, INC. 4018 HWY. 60 BLVD., BOX 421, HOSPERS, IOWA 51238</p> | |
| CLIENT / DESCRIPTION | |
| 25 GALLON SPOT SPRAYER | |
| SCALE | PART NO. |
| N.S. | SS0025-18 |

ALL DIMENSIONS ARE IN DECIMAL INCHES
TOLERANCES UNLESS OTHERWISE SPECIFIED
± 1% @ 68° F