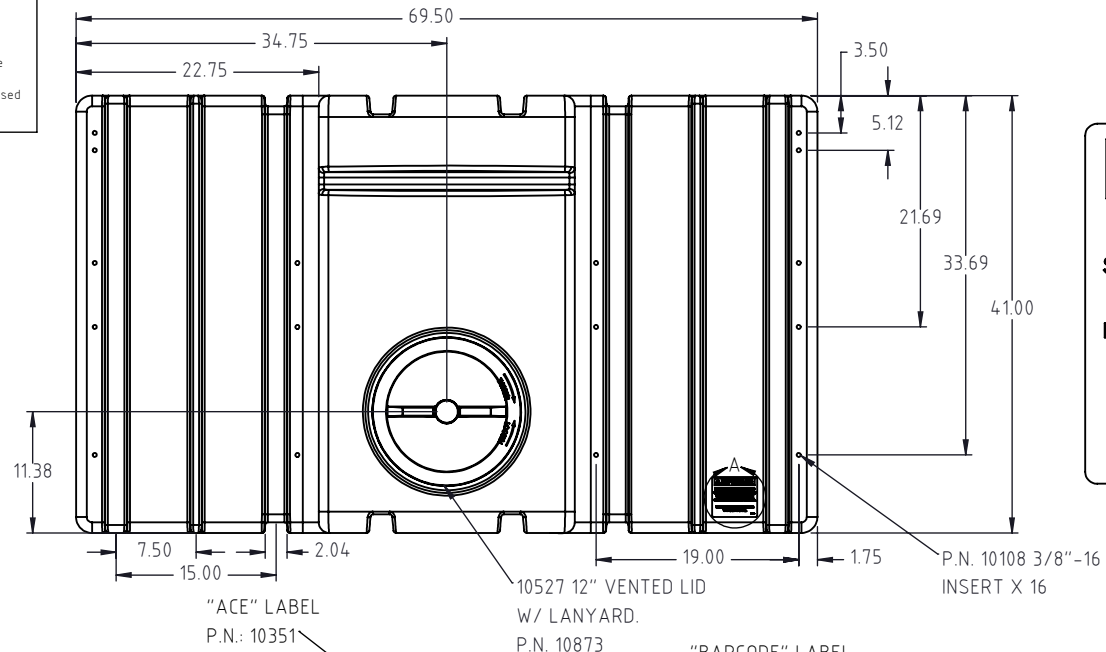


Copyright. All information furnished within this document, electronic file or design correspondence is the property of Den Hartog industries, Inc. and shall not be used, disclosed to others or copied without the expressed written consent of Den Hartog Industries, Inc.



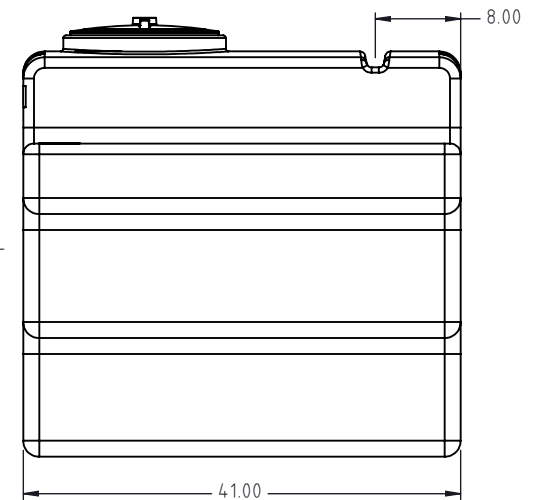
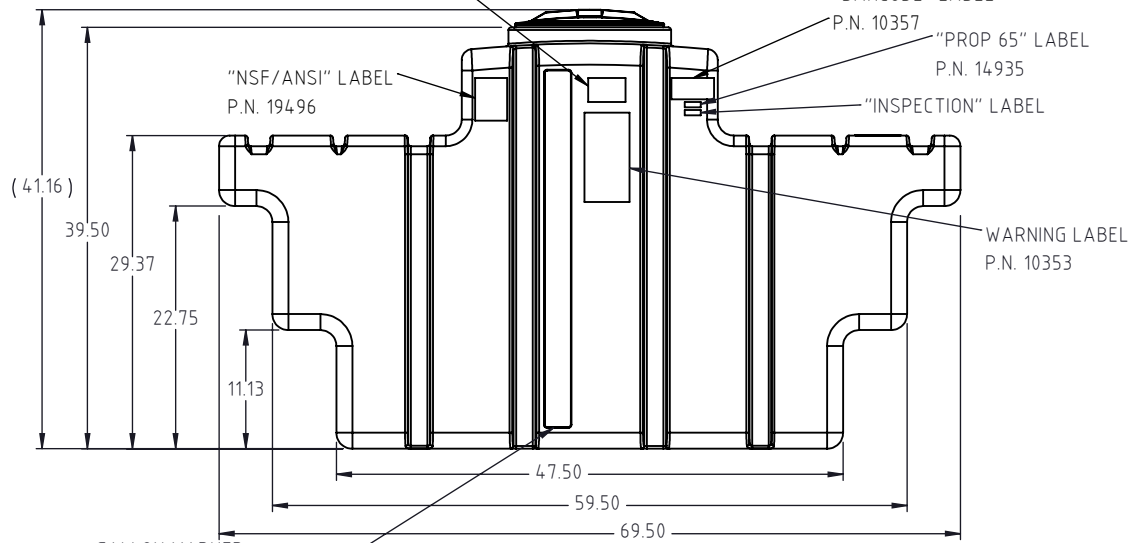
IMPORTANT:

USE ALL INSERTS AVAILABLE ON EACH SIDE OF TANK TO SECURE FRAMEWORK OR MOUNTING PLATE FOR ENGINE/ PUMP AND HOSE REEL IF SO EQUIPPED.

TORQUE ALL BOLTS TO 12-15 FT. LBS. WITH LOCK WASHERS.

14723

LABEL P.N.: 14723 (A)
DETAIL A
SCALE 1 : 2



GALLON MARKER
LOCATED ON TANK'S END

DRAWN / DATE ADH 8/18/2017	MATERIAL: 14575 1.7 MELT
APPROD. / DATE REH 8/18/2017	
SHOT WEIGHT: 172 LBS.	NOTES: 1.) 0.375 WALL
SHIPPING WEIGHT: 174 LBS.	
FINISH:	



**Den Hartog
INDUSTRIES, INC.**

Ace Roto-Mold • Injection Molding • Blow Molding • Sowjoy
4010 HOSPERS DRIVE S. BOX 425, HOSPERS, IOWA 51238-0425

A	14723 LABEL UPDATED	BES	7/10/2024	4614
REV.	DESCRIPTION	BY	DATE	CCN
ALL DIMENSIONS ARE IN DECIMAL INCHES TOLERANCES UNLESS OTHERWISE SPECIFIED		THIRD ANGLE PROJECTION ANSI 14.5M		
POLYETHYLENE ±1% @ 68° F	METAL DECIMAL ± .125" FRACTION ± 1/4" ANGLE ± 1°			

DESCRIPTION 300 GALLON SPACE SAVE TANK		SHEET 1 OF 1
SCALE N.S.	PART NO. SSPU0300-70	