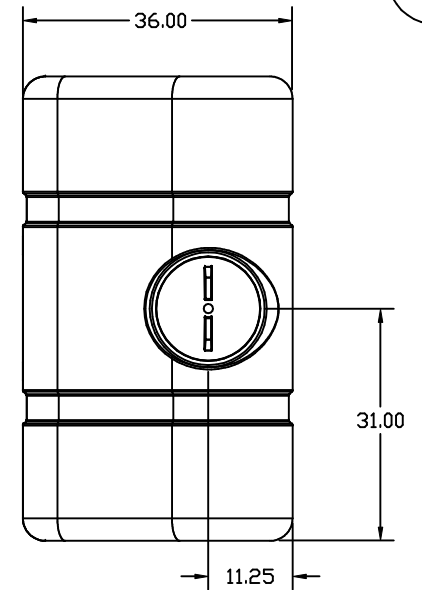
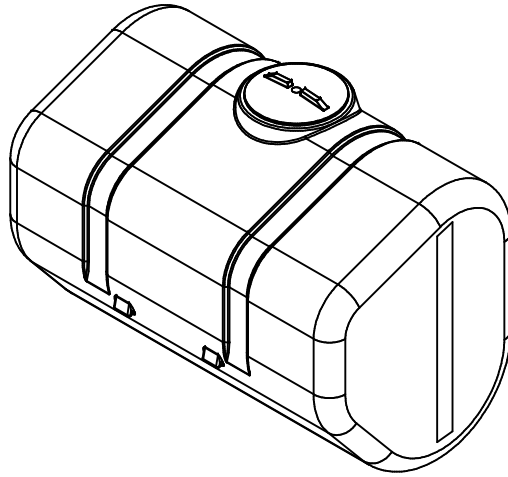
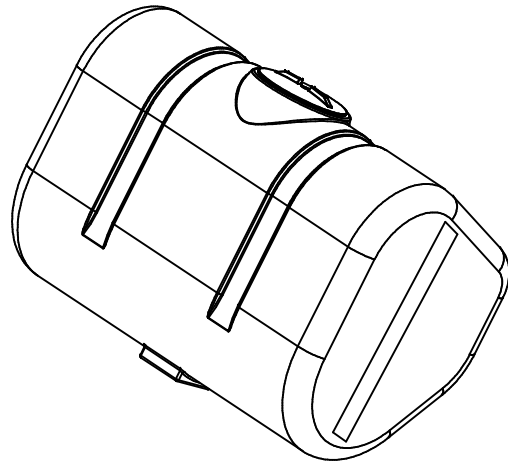


PROPRIETARY DATA

PROPERTY OF ACE ROTO-MOLD MFG., INC. INFORMATION FURNISHED HEREIN IS THE PROPERTY OF ACE ROTO-MOLD MFG., INC. AND SHALL NOT BE USED, DISCLOSED TO OTHERS, OR COPIED WITHOUT THE EXPRESSED WRITTEN CONSENT OF ACE ROTO-MOLD MFG., INC. ALL RIGHTS RESERVED.

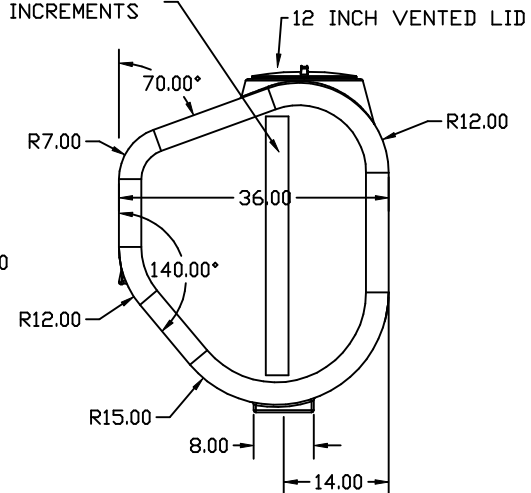
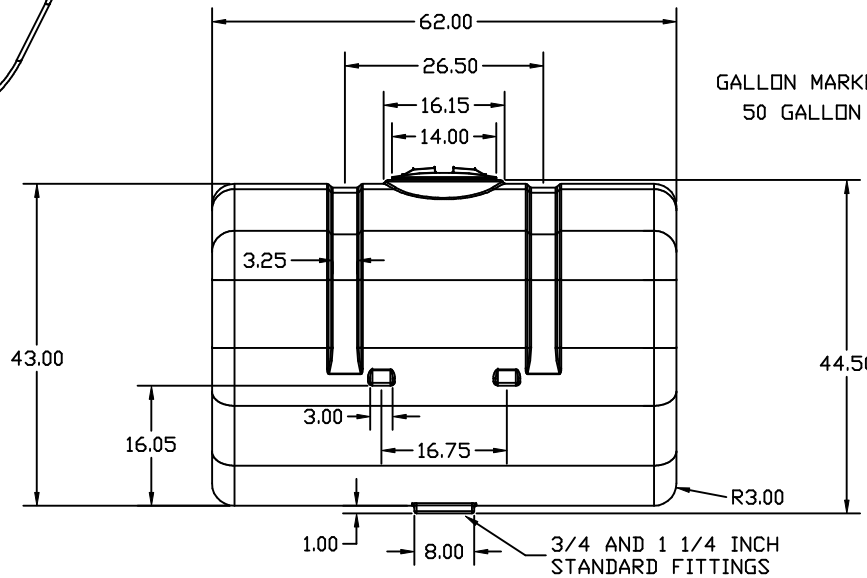
TD0300-36

B



GALLON MARKERS EACH END
50 GALLON INCREMENTS

12 INCH VENTED LID



ALL RADII ARE 0.3
UNLESS OTHERWISE
SPECIFIED

3/4 AND 1 1/4 INCH
STANDARD FITTINGS

			DRAWN / DATE NVE 8/17/05	MATERIAL
B	RELOCATED GAL. MARKERS	5/18/06	APPRD. / DATE REH/1/9/06	POLYETHYLENE REFERENCE MATERIAL DATA SHEET FOR SPECIFIC PROPERTIES.
A	REVISE PART NUMBER	12/14/05		
REV	DESCRIPTION	DATE	APPRD	
ALL DIMENSIONS ARE IN DECIMAL INCHES TOLERANCES UNLESS OTHERWISE SPECIFIED ± 1% @ 68° F			THIRD ANGLE PROJECTION ANSI 14.5M 	NOTES: 1. NOM. WALL @ .280 2. SHOT WEIGHT 107 LBS.

ACE ROTO-MOLD
A DIVISION OF DEN HARTOG INDUSTRIES, INC.
4018 HWY. 60 BLVD., BOX 421, HOSPERS, IOWA 51238

CLIENT / DESCRIPTION

300 GALLON TEAR DROP TANK

SCALE

N.S.

PART NO.

TD0300-36