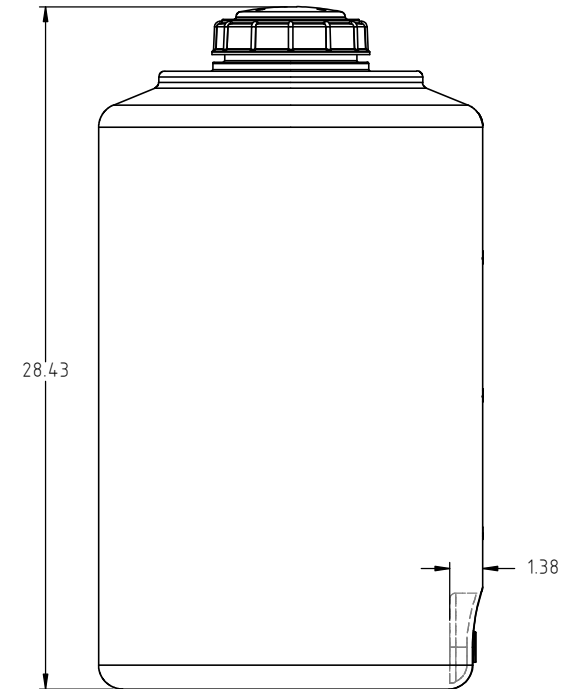
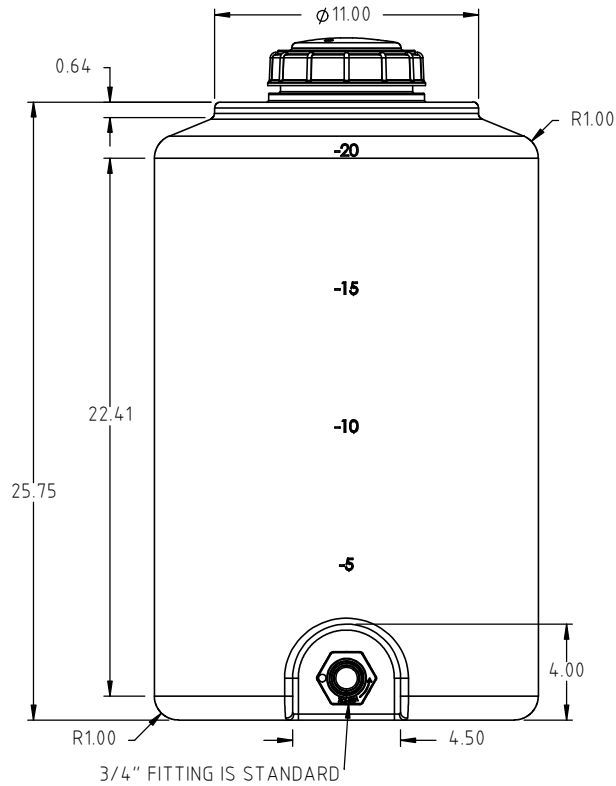
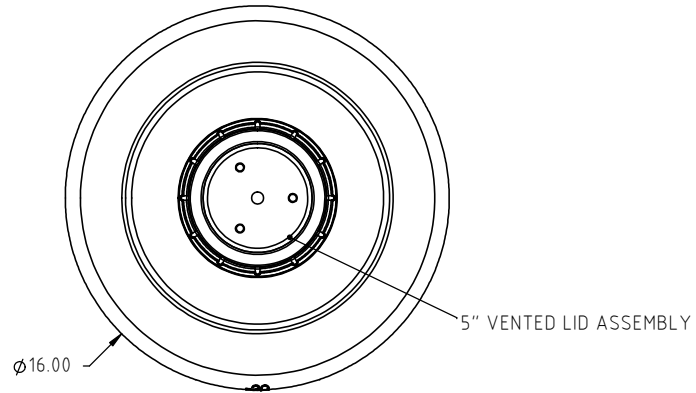
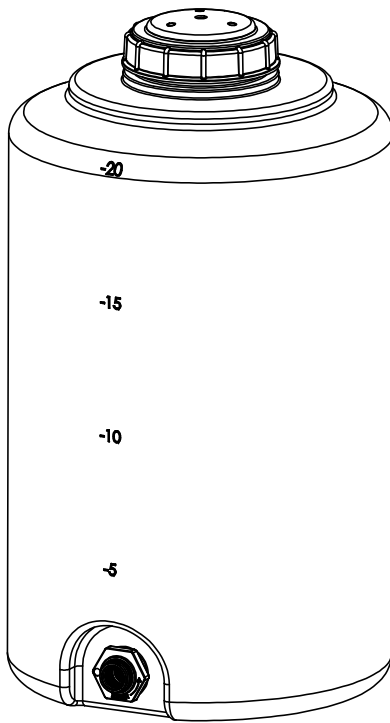



© DEN HARTOG INDUSTRIES, INC.

Copyright. All information furnished within this document, electronic file or design correspondence is the property of Den Hartog industries, Inc. and shall not be used, disclosed to others or copied without the expressed written consent of Den Hartog Industries, Inc.

VT0020-16-5IN LID



REV	DESCRIPTION	BY / DATE	CCN	DRAWN / DATE ADH 2/5/15	MATERIAL POLYETHYLENE
				APPRO. / DATE REH 2/12/15	
	ALL DIMENSIONS ARE IN DECIMAL INCHES TOLERANCES UNLESS OTHERWISE SPECIFIED	THIRD ANGLE PROJECTION ANSI 14.5M	SHOT WEIGHT: 13.00 LBS	NOTES: 1.) NATURAL COLOR 2.) NOM. WALL .188	
	POLYETHYLENE ±1% @ 68°F		SHIPPING WEIGHT: 15.00 LBS		
	METAL DECIMAL ± .125" FRACTION ± 1/4" ANGLE ± 1°		FINISH:		



Den Hartog

INDUSTRIES, INC.

Ace Roto-Mold Injection Molding Blow Molding Sowjoy

4010 HOSPERS DRIVE S. BOX 425, HOSPERS, IOWA 51238-0425

DESCRIPTION	20 GALLON VERTICAL TANK WITH 5 INCH LID	
SCALE	N.S.	PART NO. VT0020-16-5IN LID