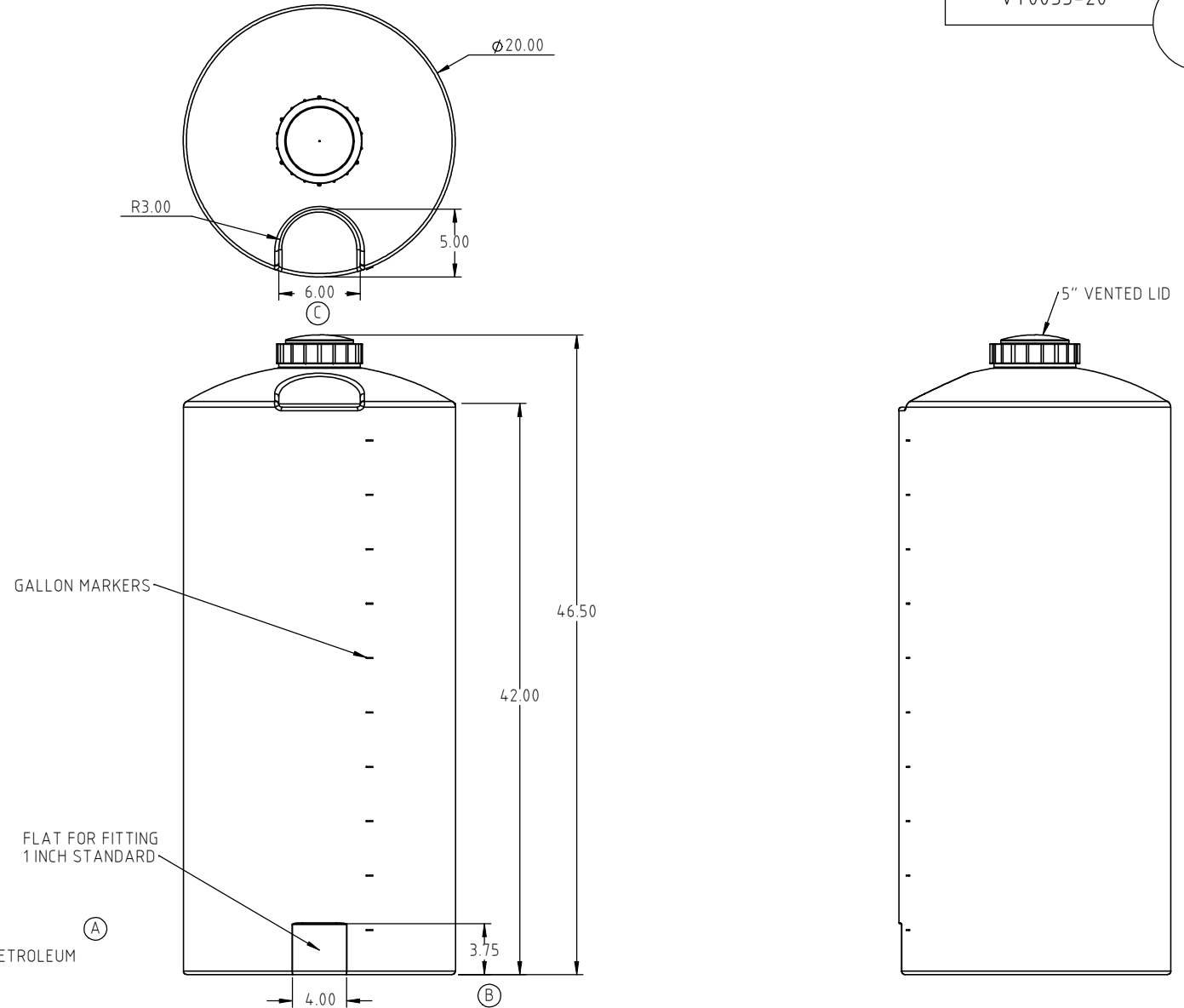


© DEN HARTOG INDUSTRIES, INC.

Copyright. All information furnished within this document, electronic file or design correspondence is the property of Den Hartog industries, Inc. and shall not be used, disclosed to others or copied without the expressed written consent of Den Hartog Industries, Inc.

VT0055-20

C



NOTE: THIS PRODUCT IS NOT DESIGNED TO CONTAIN PETROLEUM PRODUCTS. CONTACT THE FACTORY FOR CHEMICAL COMPATIBILITY.

C	CHANGE TOP FLAT CLOCKING	ADH 8/18/10	2071	DRAWN / DATE	MATERIAL  HDPE
B	FLAT DIMENSIONS ADDED	DHJ 4/23/07	1701	DHJ 4/21/04	
A	CHANGE SUMP CLOCKING	DHJ 4/23/07		APPRD. / DATE	
REV	DESCRIPTION	BY / DATE	CCN	REH 5/8/07	
ALL DIMENSIONS ARE IN DECIMAL INCHES TOLERANCES UNLESS OTHERWISE SPECIFIED		THIRD ANGLE PROJECTION ANSI 14.5M		SHOT WEIGHT:	NOTES: 1.) NATURAL COLOR 2.) NOM. WALL .200
POLYETHYLENE		METAL		SHIPPING WEIGHT:	
±1% @ 68°F		DECIMAL ± .125" FRACTION ± 1/4" ANGLE ± 1°		FINISH:	



**Den Hartog**  
INDUSTRIES, INC.

*Acra Roto-Mold Injection Molding Blow Molding Sowjoy*

4010 HOSPERS DRIVE S. BOX 425, HOSPERS, IOWA 51238-0425

DESCRIPTION		55 GAL. VERTICAL TANK
SCALE	N.S.	PART NO. VT0055-20