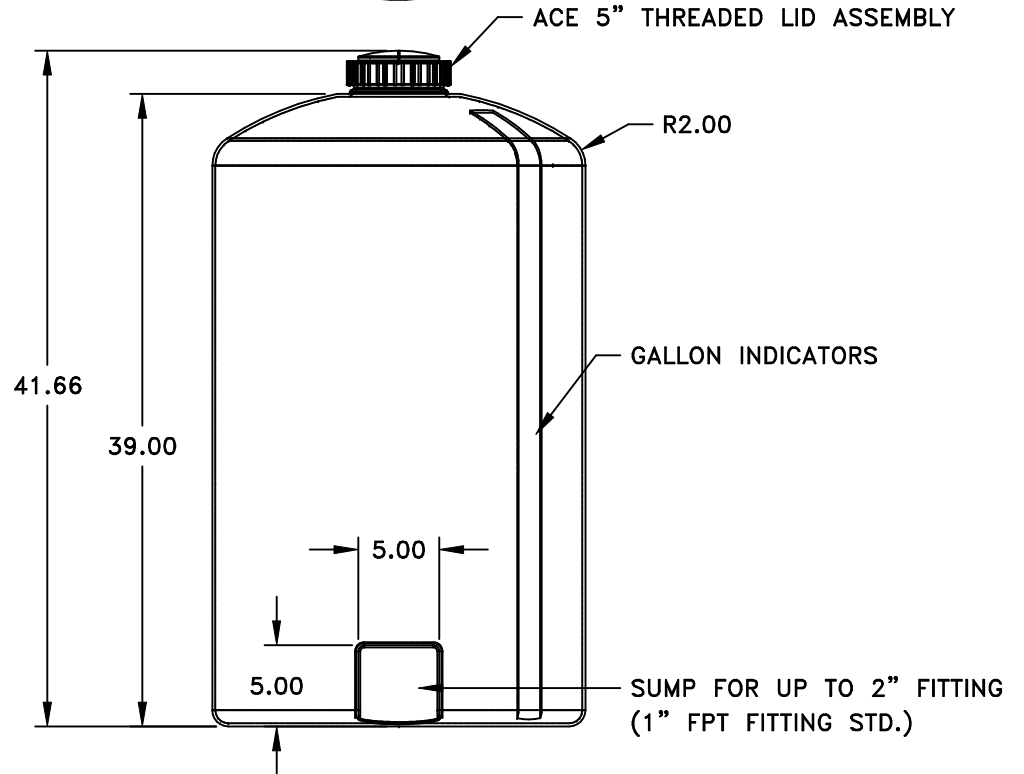
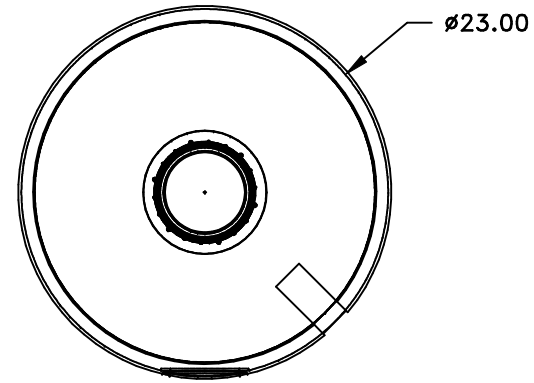
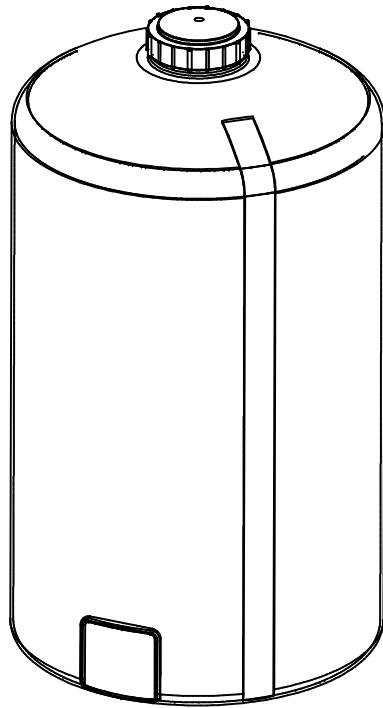


© DEN HARTOG INDUSTRIES, INC.

Copyright. All information furnished within this document, electronic file or design correspondence is the property of Den Hartog Industries, Inc. and shall not be used, disclosed to others or copied without the expressed written consent of Den Hartog Industries, Inc.

VT0065-23

B



NOTE: THIS PRODUCT IS NOT DESIGNED TO CONTAIN PETROLEUM PRODUCTS. CONTACT THE FACTORY FOR CHEMICAL COMPATIBILITY.

				DRAWN / DATE REH / 8/29/00		MATERIAL		<b>ACE ROTO-MOLD</b> A DIVISION OF DEN HARTOG INDUSTRIES, INC. 4010 HOSPERS DRIVE S. BOX 425, HOSPERS, IOWA 51238-0421	
B	TOLERANCE AND ADDRESS UPDATED CCN 1763	12/12/08	ADH	APPRD. / DATE DHJ / 8/29/00		25 LB. MOBIL 134			
A	CHANGE FITTING TO 1"	12/20/05						CLIENT / DESCRIPTION	
REV	DESCRIPTION	DATE	APPRD					65 GAL. VERTICAL TANK	
ALL DIMENSIONS ARE IN DECIMAL INCHES TOLERANCES UNLESS OTHERWISE SPECIFIED $\pm 1\% @ 68^{\circ} F \text{ } \text{\textcircled{B}}$				THIRD ANGLE PROJECTION ANSI 14.5M 		NOTES: 1. NATURAL COLOR 2. NOM. WALL .180		SCALE N.S. PART NO. VT0065-23	