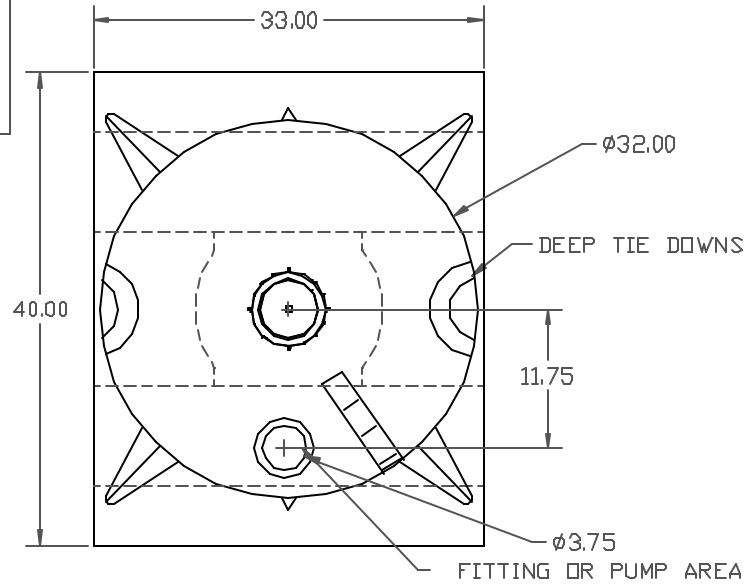


PROPRIETARY DATA

PROPERTY OF ACE ROTO-MOLD MFG., INC. INFORMATION FURNISHED HEREIN IS THE PROPERTY OF ACE ROTO-MOLD MFG., INC. AND SHALL NOT BE USED, DISCLOSED TO OTHERS, OR COPIED WITHOUT THE EXPRESSED WRITTEN CONSENT OF ACE ROTO-MOLD MFG., INC. ALL RIGHTS RESERVED.

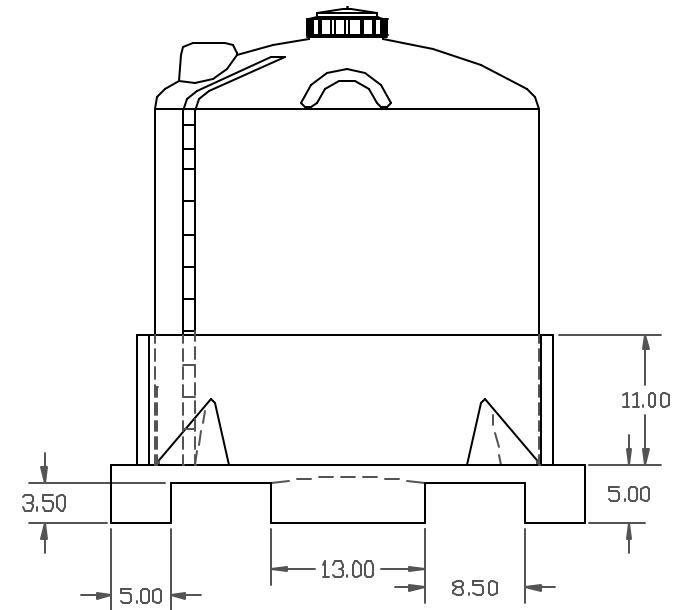
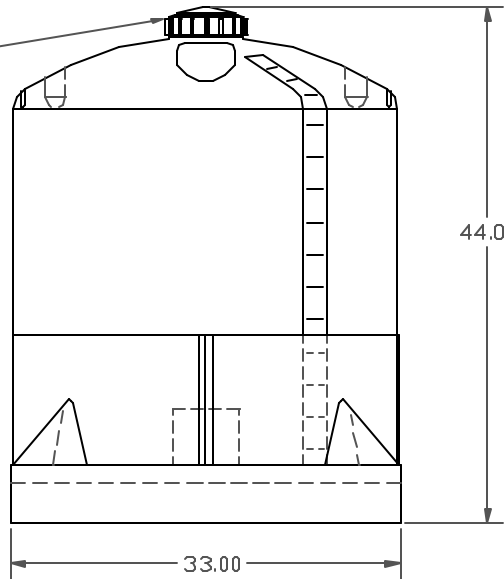
VT0110-PP

A



Ø5 INCH VENTED LID

A



			DRAWN / DATE NVE 6/24/15	MATERIAL HOPE OR EQUIVALENT REFERENCE MATERIAL DATA SHEET FOR SPECIFIC PROPERTIES.
A	CLARIFY LID CCN1290	4/9/07 DHJ	APPRD. / DATE DHJ 9/21/15	
REV	DESCRIPTION	DATE	APPRD.	
ALL DIMENSIONS ARE IN DECIMAL INCHES TOLERANCES UNLESS OTHERWISE SPECIFIED ± 1% @ 68° F			THIRD ANGLE PROJECTION ANSI 14.5M 	NOTES: 1. BLACK AND WHITE COLOR 2. SHIP WEIGHT 68 LBS.

Ace Roto-Mold
A DIVISION OF DEN HARTOG INDUSTRIES, INC.

CLIENT / DESCRIPTION
110 GALLON PALLET & TANK

SCALE: N.S. PART NO.: VT0110-PP