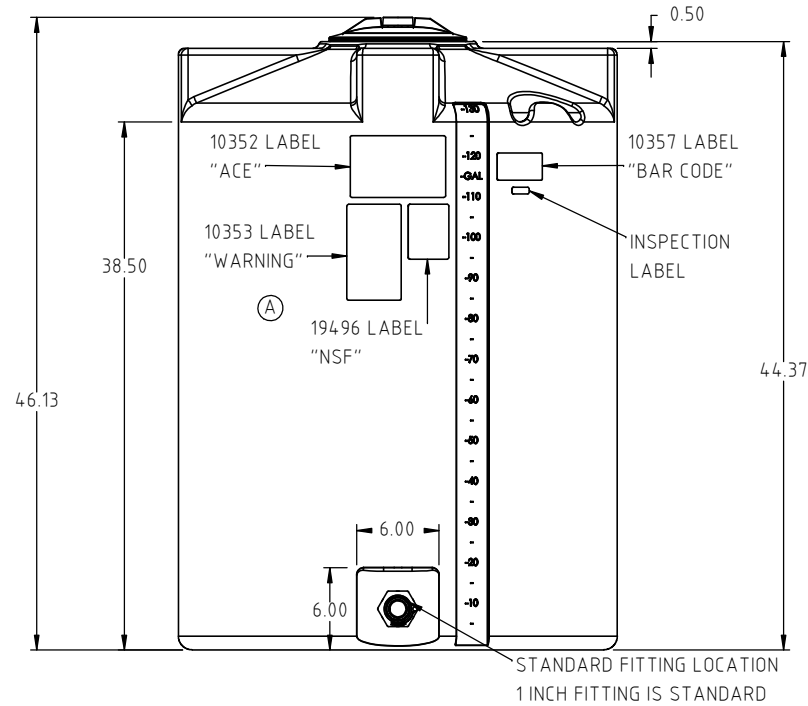
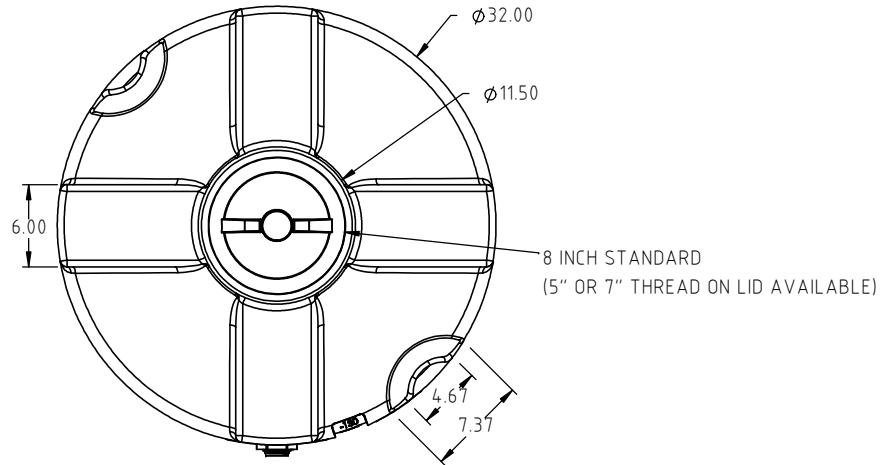


Copyright. All information furnished within this document, electronic file or design correspondence is the property of Den Hartog industries, Inc. and shall not be used, disclosed to others or copied without the expressed written consent of Den Hartog Industries, Inc.



				DRAWN / DATE DHJ 3/31/09	MATERIAL 10420 3 MELT
A	LABEL DETAIL ADDED TO THE PRINT	ADH 12/20/17	3481	APPRO. / DATE REH 5/20/09	
REV	DESCRIPTION	BY / DATE	CCN		
ALL DIMENSIONS ARE IN DECIMAL INCHES TOLERANCES UNLESS OTHERWISE SPECIFIED		THIRD ANGLE PROJECTION ANSI 14.5M		SHOT WEIGHT: 45.00 LBS	NOTES: 1.) 0.200 WALL
POLYETHYLENE		METAL DECIMAL ± .125" FRACTION ± 1/4" ANGLE ± 1°		SHIPPING WEIGHT: 47.00 LBS	
±1% @ 68°F				FINISH:	



# Den Hartog

INDUSTRIES, INC.

*Acra Roto-Mold Injection Molding Blow Molding Sowjoy*

4010 HOSPERS DRIVE S. BOX 425, HOSPERS, IOWA 51238-0425

DESCRIPTION 130 GALLON X 32" DIA. VERTICAL TANK	
SCALE N.S.	PART NO. VT0130-32