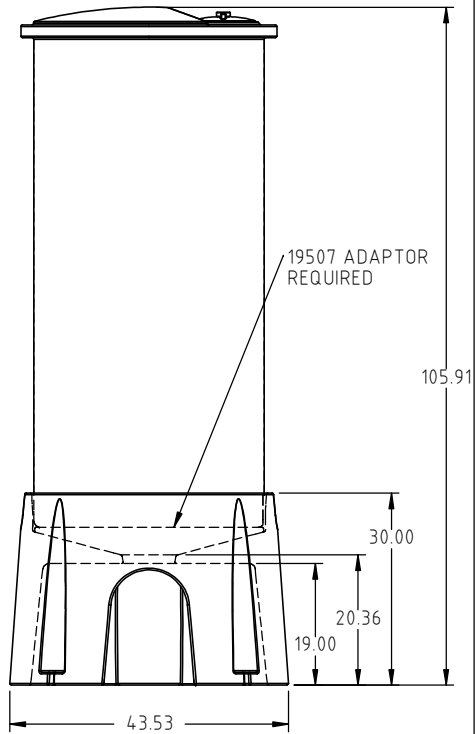
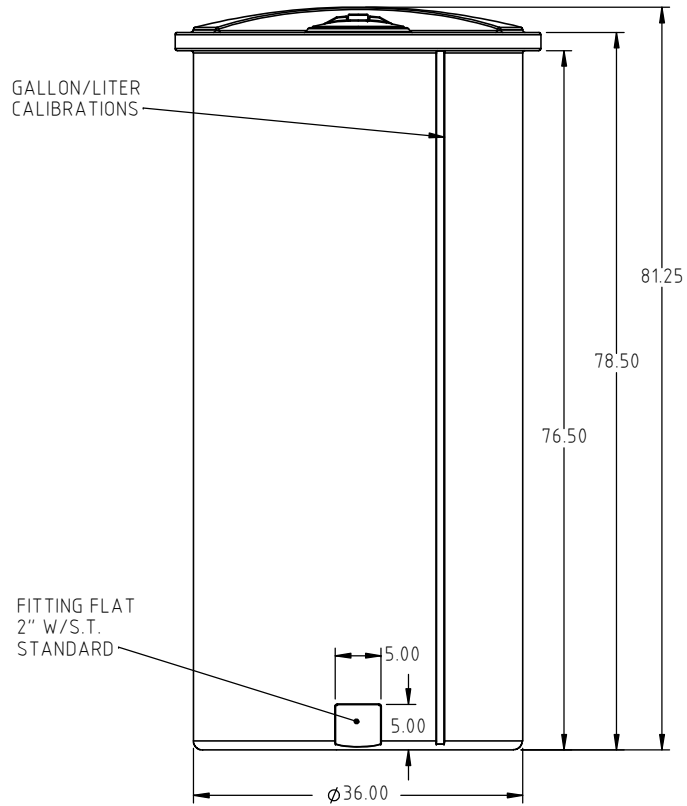
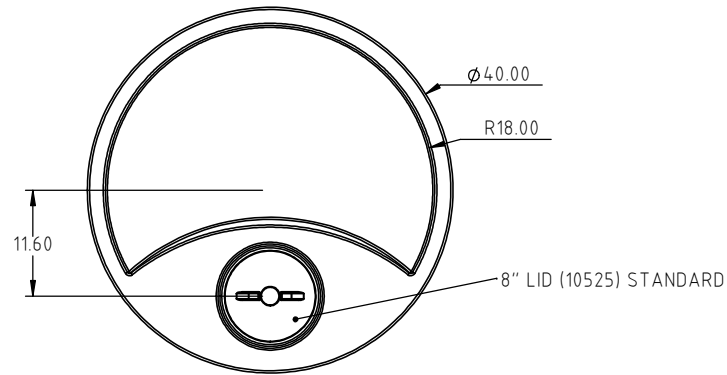


Copyright. All information furnished within this document, electronic file or design correspondence is the property of Den Hartog Industries, Inc. and shall not be used, disclosed to others or copied without the expressed written consent of Den Hartog Industries, Inc.




OC036-STP POLY STAND



REV	DESCRIPTION	BY / DATE	CCN

DRAWN / DATE	MATERIAL
ADH 7/12/10	10420
APPROD. / DATE	
REH 4/18/11	

SHOT WEIGHT:	90.00 LBS
SHIPPING WEIGHT:	92.00 LBS
FINISH:	



Den Hartog
INDUSTRIES, INC.

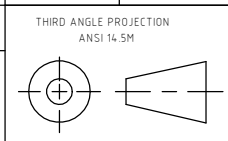
Acra Roto-Mold Injection Molding Blow Molding Sowjoy

4010 HOSPERS DRIVE S. BOX 425, HOSPERS, IOWA 51238-0425

DESCRIPTION	
36" DIA. X 325 GALLON VERTICAL TANK	
SCALE	PART NO.
N.S.	VT0325-36

ALL DIMENSIONS ARE IN DECIMAL INCHES
TOLERANCES UNLESS OTHERWISE SPECIFIED

POLYETHYLENE	METAL DECIMAL ± .125" FRACTION ± 1/4" ANGLE ± 1°
±1% @ 68°F	



NOTES:

1.) 0.22 WALL THICKNESS