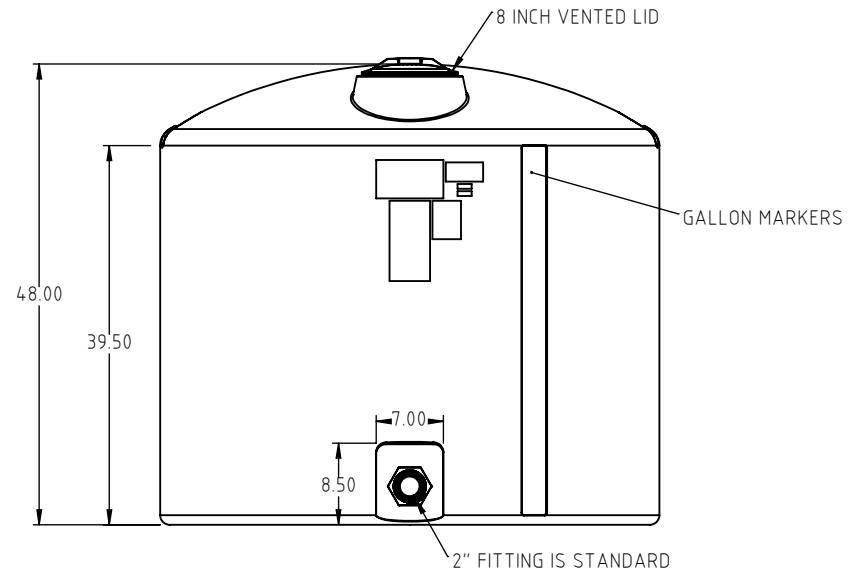
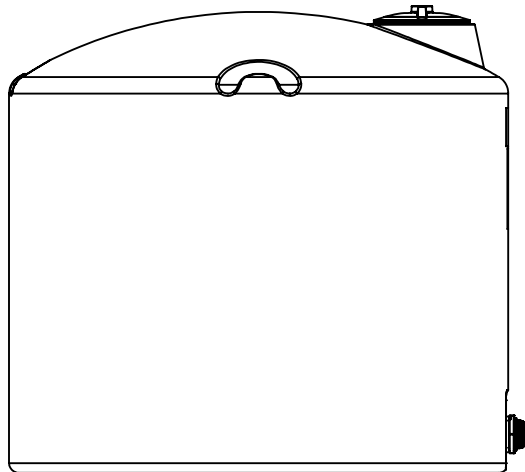
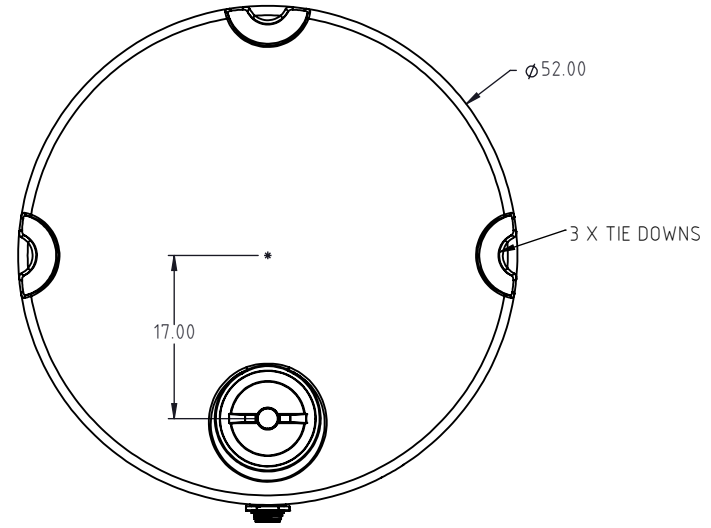


Copyright. All information furnished within this document, electronic file or design correspondence is the property of Den Hartog industries, Inc. and shall not be used, disclosed to others or copied without the expressed written consent of Den Hartog Industries, Inc.



DRAWN / DATE REH 1/17/2007	MATERIAL : 10420
APPRD. / DATE ADH 11/19/2007	
SHOT WEIGHT: 90 LBS	NOTES: 0.235 NOM. WALL
SHIPPING WEIGHT: 92 LBS	
FINISH:	



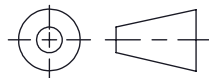
**Den Hartog
INDUSTRIES, INC.**

Ace Roto-Mold • Injection Molding • Blow Molding • Sowjoy
4010 HOSPERS DRIVE S. BOX 425, HOSPERS, IOWA 51238-0425

DESCRIPTION 405 GALLON VERTICAL TANK		
SCALE N.S.	PART NO. VT0405-52	SHEET 1 OF 1

ALL DIMENSIONS ARE IN DECIMAL INCHES
TOLERANCES UNLESS OTHERWISE SPECIFIED

THIRD ANGLE PROJECTION
ANSI 14.5M



POLYETHYLENE
±1% @ 68°F

METAL
DECIMAL ± .125"
FRACTION ± 1/4"
ANGLE ± 1°