

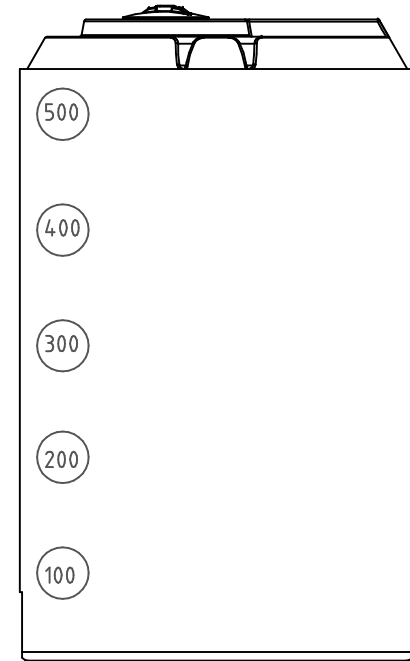
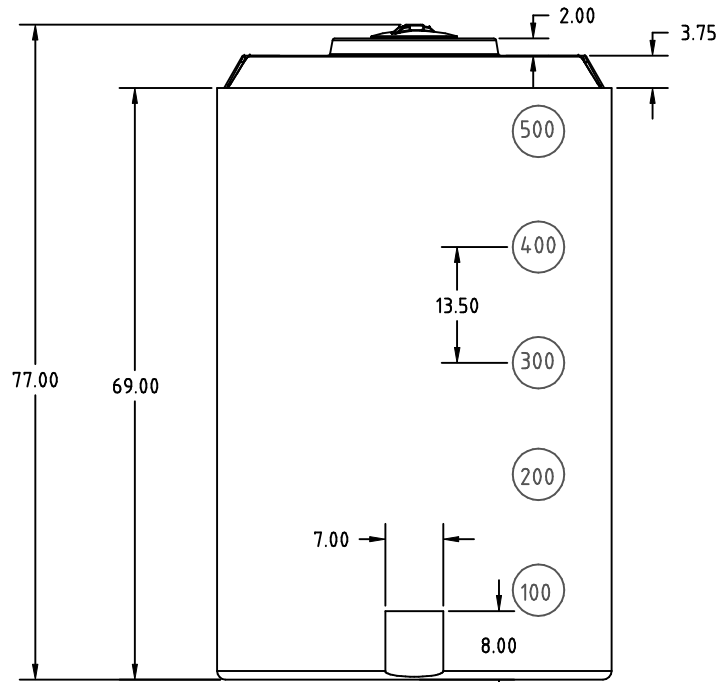
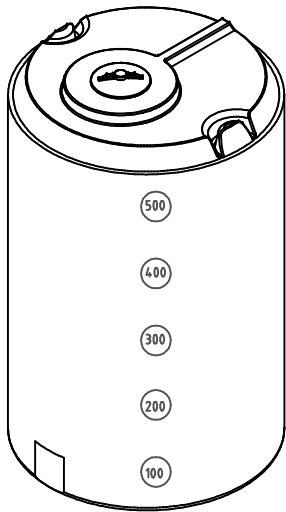
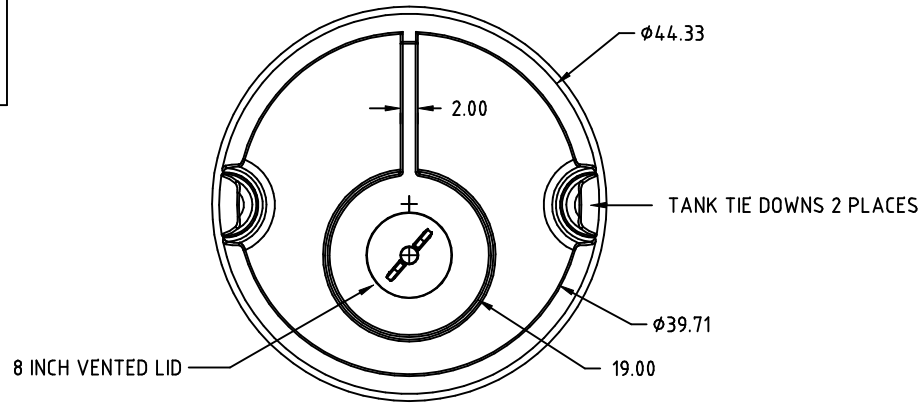
PROPRIETARY DATA

VT0500-46

A

PROPERTY OF ACE ROTO-MOLD MFG., INC. INFORMATION FURNISHED HEREIN IS THE PROPERTY OF ACE ROTO-MOLD MFG., INC. AND SHALL NOT BE USED, DISCLOSED TO OTHERS, OR COPIED WITHOUT THE EXPRESSED WRITTEN CONSENT OF ACE ROTO-MOLD MFG., INC. ALL RIGHTS RESERVED.

A



FITTING FLAT

DRAWN / DATE

NVE 8/19/05

MATERIAL

HDPE OR EQUIVALENT  
REFERENCE MATERIAL DATA SHEET  
FOR SPECIFIC PROPERTIES.



ACE ROTO-MOLD

A DIVISION OF DEN HARTOG INDUSTRIES, INC.

4010 HOSPERS DRIVE SOUTH, BOX 425, HOSPERS, IS 51238

A	SPECIFIC GRAVITY REMOVED CCN 1679	6/16/08	ADH
REV	DESCRIPTION	DATE	APPRD

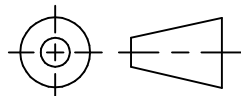
APPRD. / DATE	DHJ 9/21/05
---------------	-------------

CLIENT / DESCRIPTION

500 GALLON VERTICAL TANK

ALL DIMENSIONS ARE IN DECIMAL INCHES  
TOLERANCES UNLESS OTHERWISE SPECIFIED

THIRD ANGLE PROJECTION  
ANSI 14.5M



NOTES:

- SHOT WEIGHT 118 LBS.
- NOM. WALL @ .248

SCALE N.S.

PART NO. VT0500-46

$\pm$  1% @ 68° F