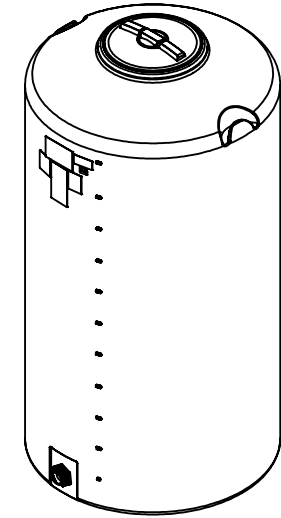
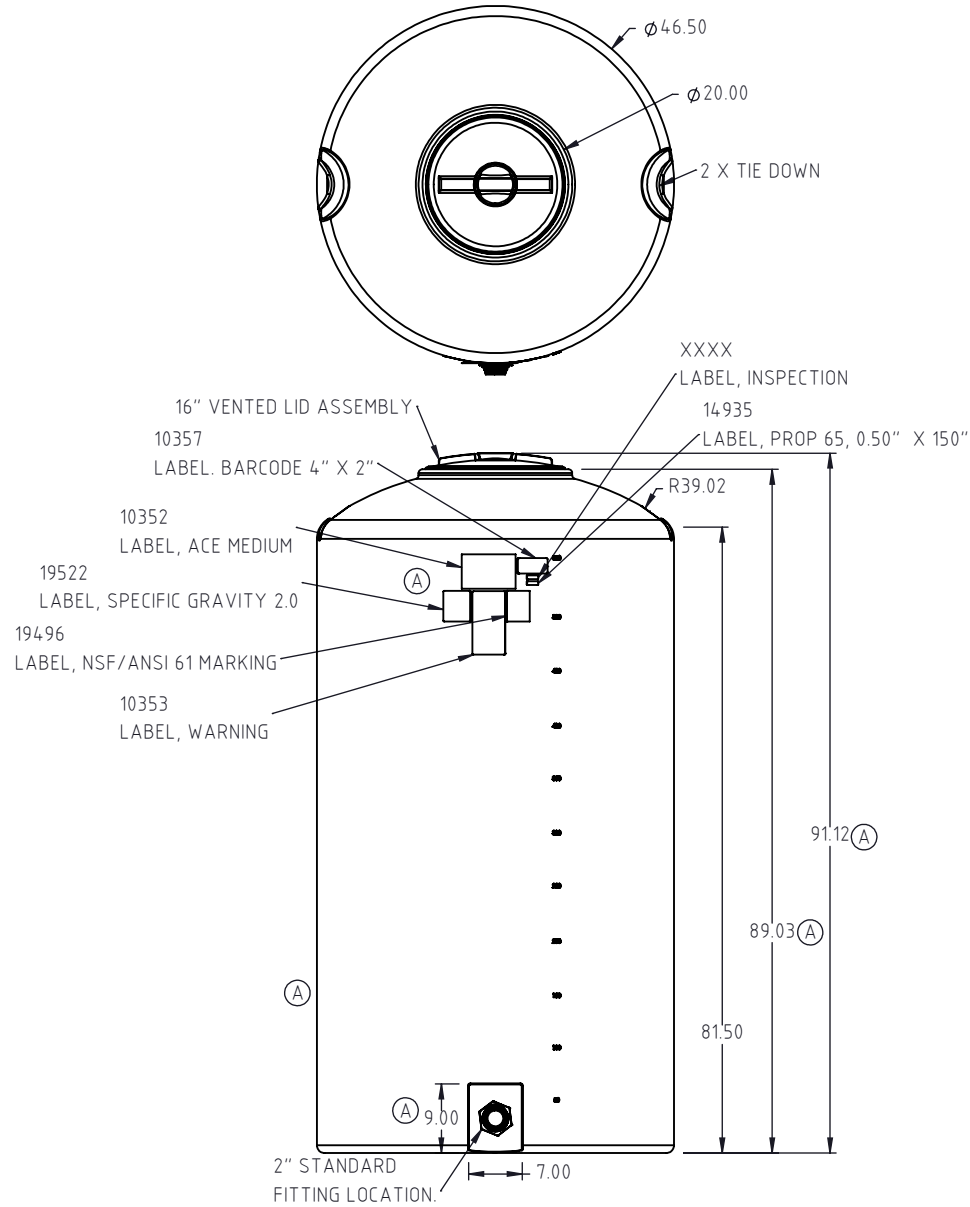


© DEN HARTOG INDUSTRIES, INC.

Copyright. All information furnished within this document, electronic file or design correspondence is the property of Den Hartog industries, Inc. and shall not be used, disclosed to others or copied without the expressed written consent of Den Hartog Industries, Inc.

VT0600-46

A



DRAWN / DATE NVE 11/1/2005			MATERIAL : 10420		
A	RIBS REMOVED. LABELS CALLED OUT. DIMENSIONS UPDATED.	ADH	1/9/2023	4374	APPRD. / DATE DHJ 11/1/2005
REV.	DESCRIPTION	BY	DATE	CCN	
ALL DIMENSIONS ARE IN DECIMAL INCHES TOLERANCES UNLESS OTHERWISE SPECIFIED		THIRD ANGLE PROJECTION ANSI 14.5M		SHOT WEIGHT: 130 LBS.	
POLYETHYLENE		METAL		NOTES:	
±1% @ 68°F		DECIMAL ± .125" FRACTION ± 1/4" ANGLE ± 1°		SHIPPING WEIGHT: 132 LBS.	
		FINISH:		NOMINAL WALL THICKNESS: 0.230"	
DESCRIPTION 600 GALLON VERTICAL TANK			SCALE N.S.		
PART NO. VT0600-46			SHEET 1 OF 1		



**Den Hartog
INDUSTRIES, INC.**

Ace Roto-Mold • Injection Molding • Blow Molding • Sowjoy
4010 HOSPERS DRIVE S. BOX 425, HOSPERS, IOWA 51238-0425