

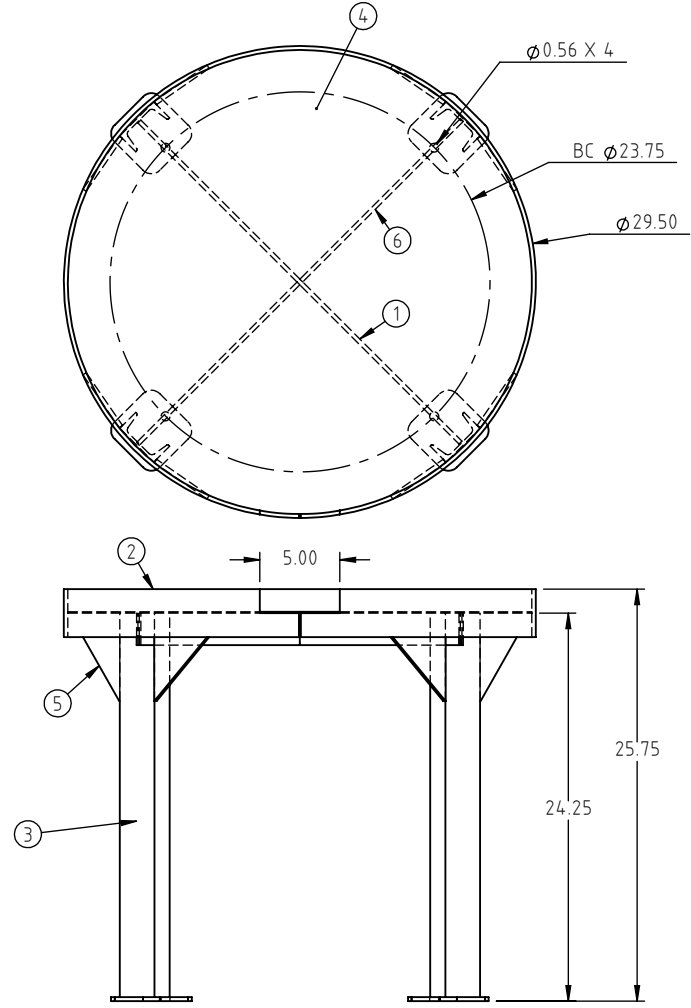
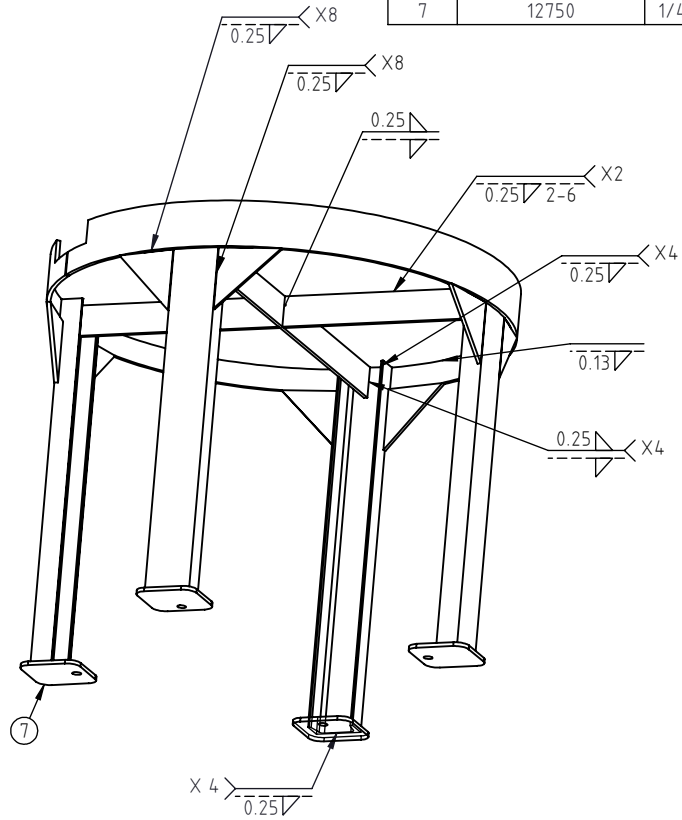
© DEN HARTOG INDUSTRIES, INC.

Copyright. All information furnished within this document, electronic file or design correspondence is the property of Den Hartog Industries, Inc. and shall not be used, disclosed to others or copied without the expressed written consent of Den Hartog Industries, Inc.

KEY	PART NUMBER	DESCRIPTION	QTY.
1	VT160-28ST-1	SUPPORT STRAP	1
2	VT160-28ST-2	STAND RING	1
3	VT160-28ST-3	CHANNEL LEG	4
4	VT160-28ST-4	SUPPORT PLATE	1
5	VT160-28ST-5	LEG BRACE	8
6	VT160-28ST-6	SUPPORT STRAP-SHORT	2
7	12750	1/4" X 4" X 4" LEG PAD	4

VT160-28ST

E



E	COMPONENTS TABLE LAYOUT UPDATED	ADH 4/27/10	2023
D	DRAWING TEMPLATE UPDATED 12750 WAS SJC885/90ST	ADH 1/26/10	1995
C	C03X41 WAS C03X42	ADH 5/13/09	1863
B	TOLERANCE WAS 1% @ 68° F	GWC 3/13/07	
A	ADDED B.O.M. AND WELD DESC	NVE 7/17/06	
REV	DESCRIPTION	BY / DATE	CCN

DRAWN / DATE	MATERIAL
DHJ 2/17/03	
APPRD. / DATE	
ADH 11/20/07	



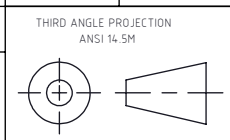
Den Hartog
INDUSTRIES, INC.

Ace Roto-Mold Injection Molding Blow Molding Sowjoy

4010 HOSPERS DRIVE S. BOX 425, HOSPERS, IOWA 51238-0425

ALL DIMENSIONS ARE IN DECIMAL INCHES
TOLERANCES UNLESS OTHERWISE SPECIFIED

POLYETHYLENE	METAL
±1% @ 68° F	DECIMAL ± .125" FRACTION ± 1/4" ANGLE ± 1°



SHOT WEIGHT:	NOTES:
SHIPPING WEIGHT:	
83.00 LBS	
FINISH: POWDER COATING, BLACK TILE, 40012	

DESCRIPTION	METAL STAND FOR 160 GALLON VERTICAL TANK	
SCALE	N.S.	PART NO. VT160-28ST