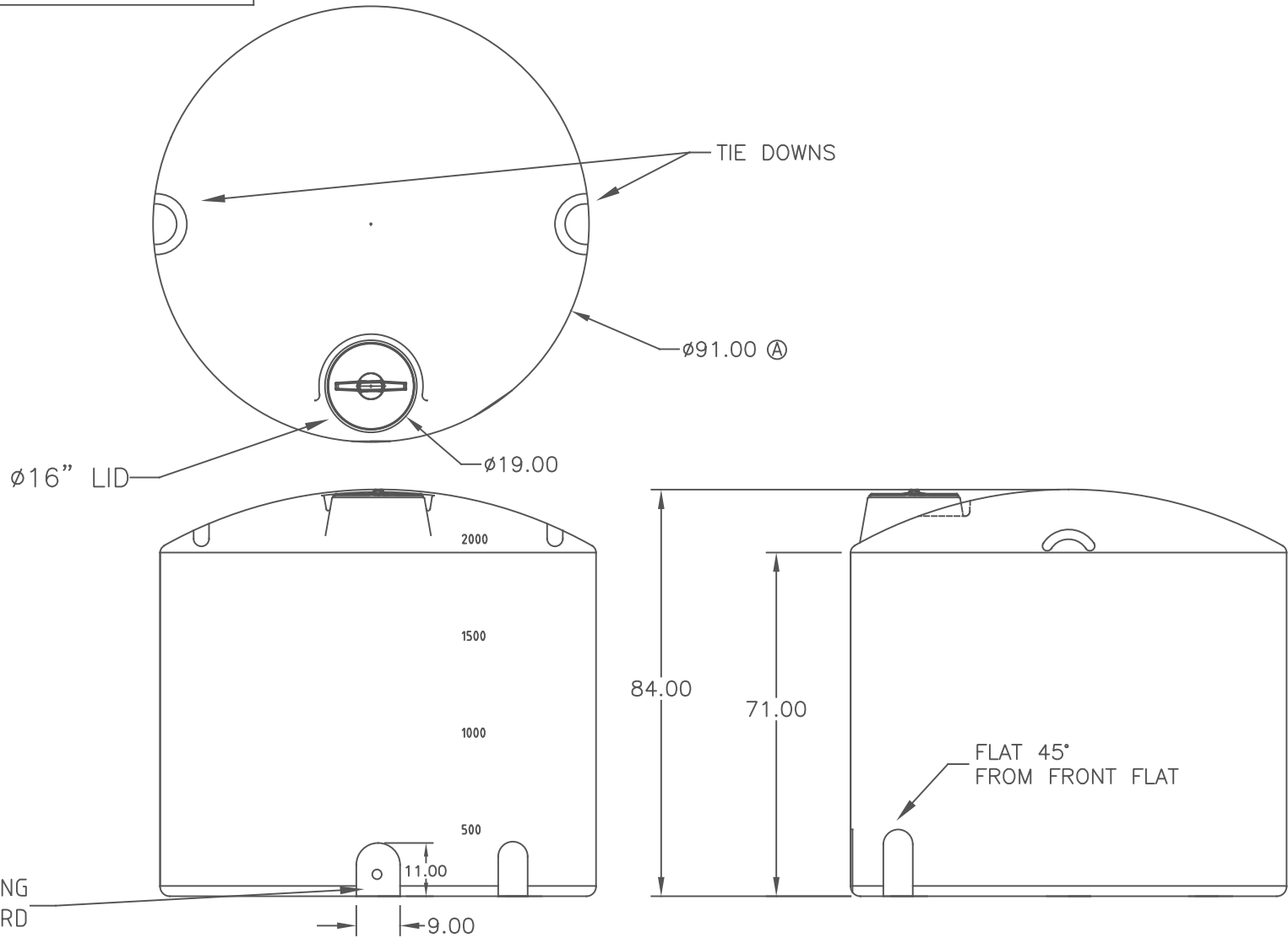


PROPRIETARY DATA

VT2000-90

A

PROPERTY OF ACE ROTO-MOLD MFG., INC. INFORMATION FURNISHED HEREIN IS THE PROPERTY OF ACE ROTO-MOLD MFG., INC. AND SHALL NOT BE USED, DISCLOSED TO OTHERS, OR COPIED WITHOUT THE EXPRESSED WRITTEN CONSENT OF ACE ROTO-MOLD MFG., INC. ALL RIGHTS RESERVED.



FLAT FOR FITTING  
2 INCH STANDARD

DRAWN / DATE NVE 6/10/05		MATERIAL HDPE OR EQUIVALENT REFERENCE MATERIAL DATA SHEET FOR SPECIFIC PROPERTIES.	
APPRD. / DATE DHJ 6/21/05		NOTES: 1. .350 THICK AT FITTING 2. SHOT WEIGHT 375 LBS.	
THIRD ANGLE PROJECTION ANSI 14.5M			

**ACE ROTO-MOLD**  
A DIVISION OF DEN HARTOG INDUSTRIES, INC.  
4018 HWY. 60 BLVD., BOX 421, HOSPERS, IOWA 51238

CLIENT / DESCRIPTION 2000 GALLON VERTICAL TANK	
SCALE N.S.	PART NO. VT2000-90

ALL DIMENSIONS ARE IN DECIMAL INCHES  
TOLERANCES UNLESS OTHERWISE SPECIFIED

± 1% @ 68° F