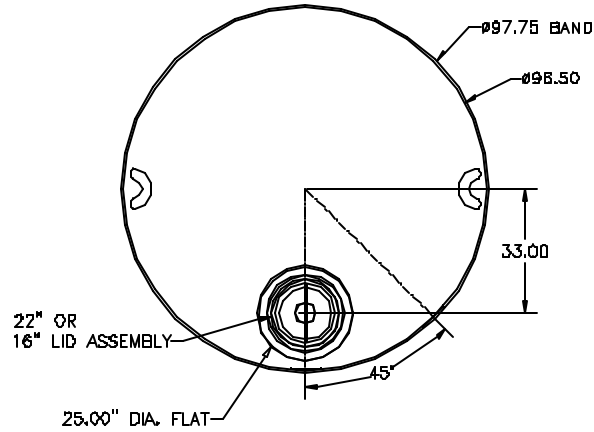
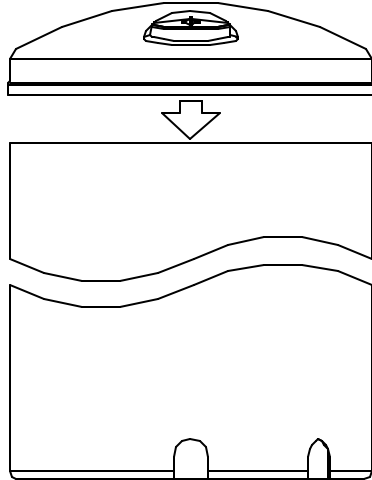


PROPRIETARY DATA

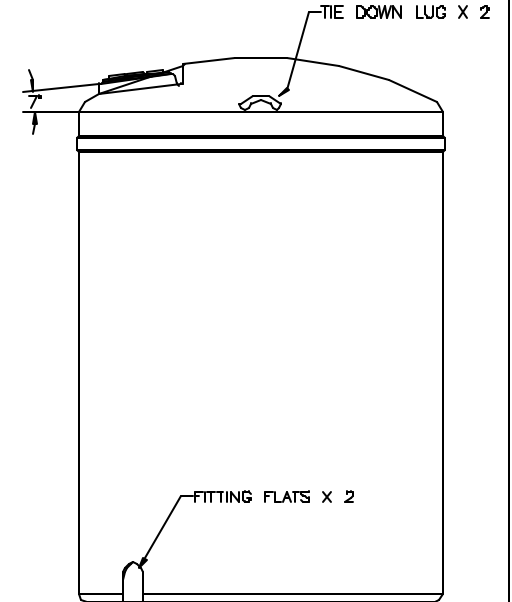
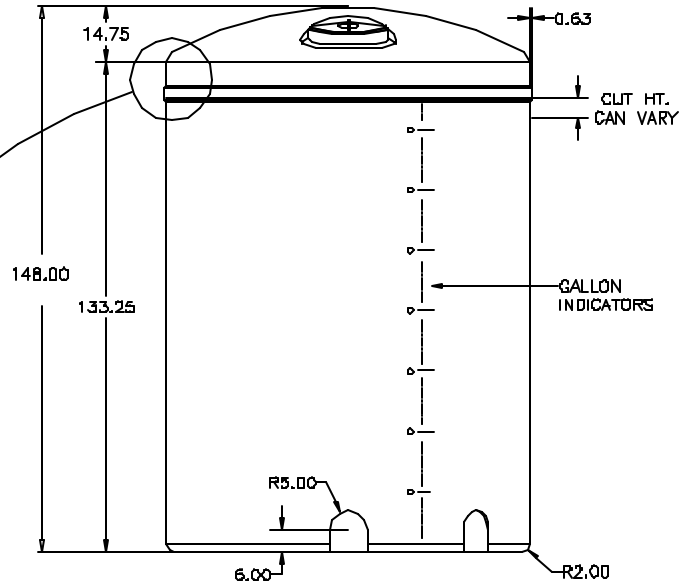
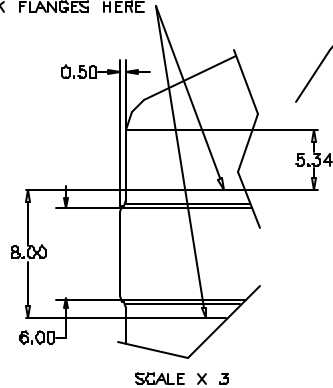
PROPERTY OF ACE ROTO-MOLD MFG., INC. INFORMATION FURNISHED HEREIN IS THE PROPERTY OF ACE ROTO-MOLD MFG., INC. AND SHALL NOT BE USED, DISCLOSED TO OTHERS, OR COPIED WITHOUT THE EXPRESSED WRITTEN CONSENT OF ACE ROTO-MOLD MFG., INC. ALL RIGHTS RESERVED.

VT4200-96



- FEATURES**
1. 1 PIECE ROTATIONALLY MOLDED CONSTRUCTION
  2. TRANSLUCENT COLORS
  3. FDA APPROVED RESIN
  4. UV STABILIZED
  5. CALIBRATED IN GALLONS
  6. THREE YEAR WARRANTY

PLACE TANK FLANGES HERE



				DRAWN / DATE REH 02/18/98	MATERIAL HOPE OR EQUIVALENT REFERENCE MATERIAL DATA SHEET FOR SPECIFIC PROPERTIES.
				APPRD. / DATE REH 02/18/98	
REV	DESCRIPTION	DATE	APPRD		
ALL DIMENSIONS ARE IN DECIMAL INCHES TOLERANCES UNLESS OTHERWISE SPECIFIED ± 1% @ 68° F				THIRD ANGLE PROJECTION ANSI 14.3M 	NOTES: 1. YELLOW, BLUE, BLACK, OR WHITE COLOR 2. SHOT WEIGHT 950 LBS.

**Ace Roto-Mold**  
A DIVISION OF DEN HARTOG INDUSTRIAL INC.  
4018 HWY. 60 BLVD., BOX 421, HOSPERS, IOWA 51238

CLIENT / DESCRIPTION  
4200 GALLON SPLIT TOP VERTICAL TANK

SCALE  
N.S.

PART NO.  
VT4200-96