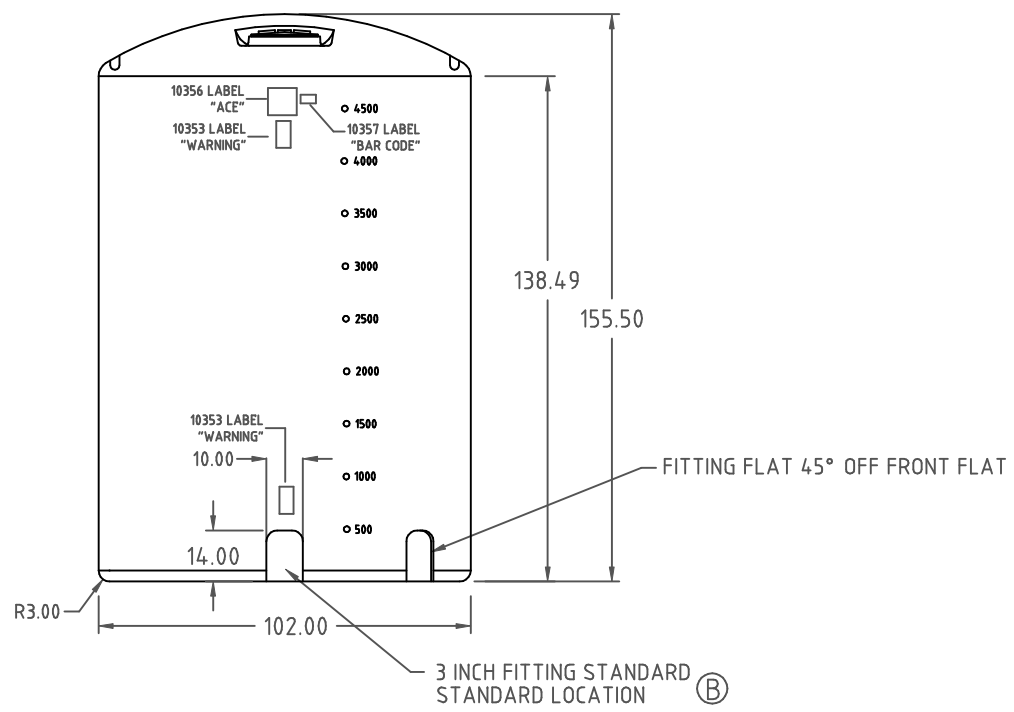
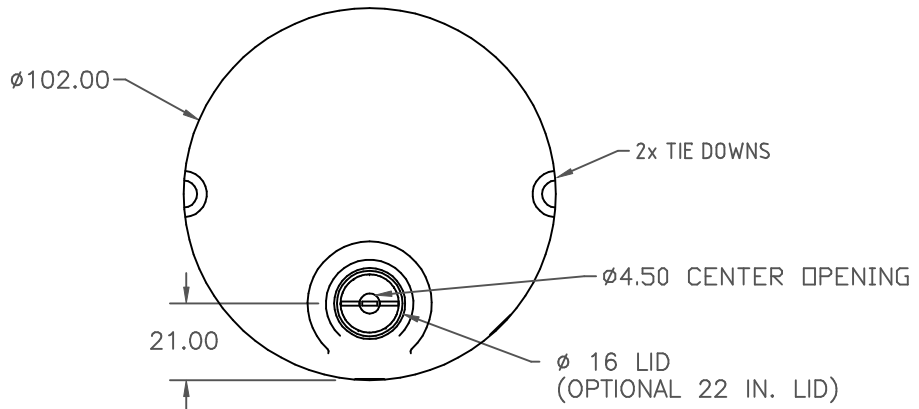


Copyright. All information furnished within this document, electronic file or design correspondence is the property of Den Hartog industries, Inc. and shall not be used, disclosed to others or copied without the expressed written consent of Den Hartog Industries, Inc.



				DRAWN / DATE DHJ 3/6/09	MATERIAL HDPE OR EQUIVALENT
B	CHANGED STANDARD FITTING FROM 2" TO 3"	DHJ 3/30/10	2013	APPRD. / DATE REH 4/3/09	
A	ADDED WALL THICKNESS	DHJ 5/7/09			
REV	DESCRIPTION	BY / DATE	CCN		
ALL DIMENSIONS ARE IN DECIMAL INCHES TOLERANCES UNLESS OTHERWISE SPECIFIED		THIRD ANGLE PROJECTION ANSI 14.5M		SHOT WEIGHT: 1300	NOTES: 1. WHITE, BLACK, OR YELLOW COLOR 2. 0.76 WALL @ FLAT (A)
POLYETHYLENE		METAL		SHIPPING WEIGHT: 1302	
$\pm 1\%$ @ 68° F		DECIMAL $\pm .125$ " FRACTION $\pm 1/4$ " ANGLE $\pm 1^\circ$		FINISH:	



Den Hartog

INDUSTRIES, INC.
Ace Roto-Mold Injection Molding Blow Molding Sowjoy
4010 HOSPERS DRIVE S. BOX 425, HOSPERS, IOWA 51238-0425

DESCRIPTION 5000 GALLON VERTICAL TANK	
SCALE N.S.	PART NO. VT5000-102