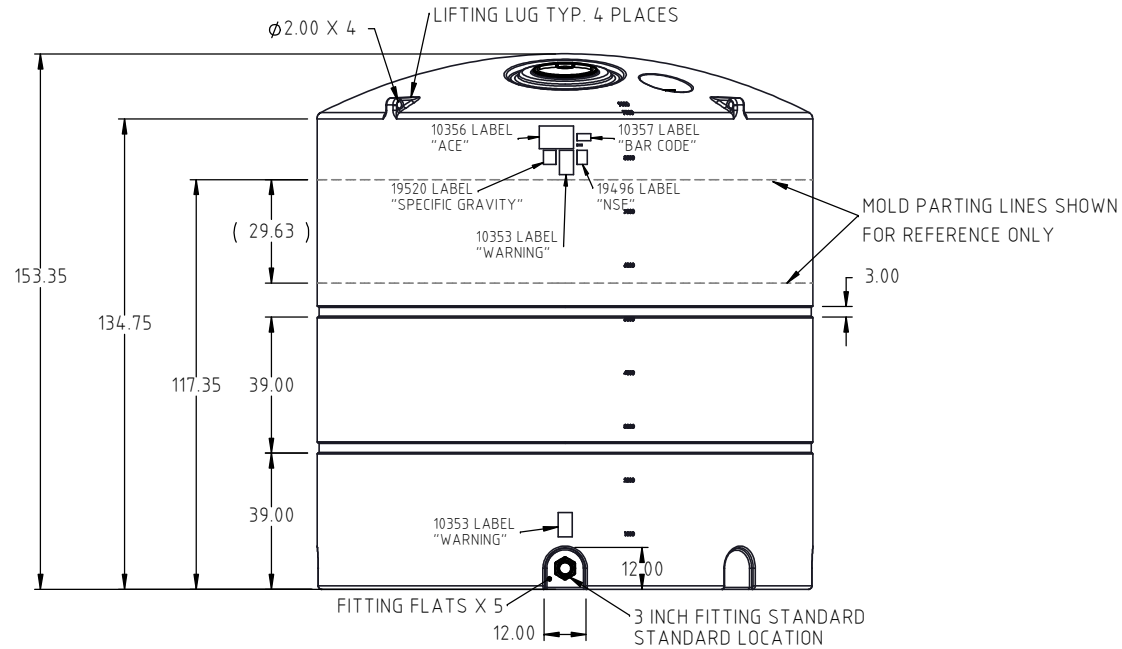
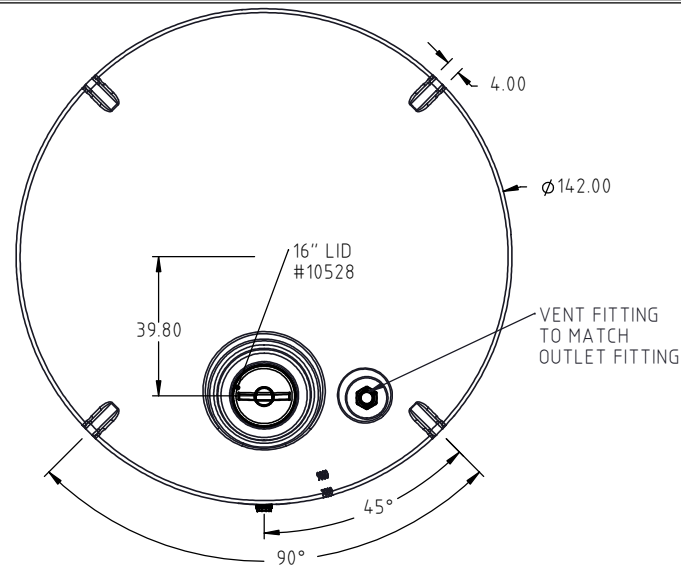


Copyright. All information furnished within this document, electronic file or design correspondence is the property of Den Hartog Industries, Inc. and shall not be used, disclosed to others or copied without the expressed written consent of Den Hartog Industries, Inc.



				DRAWN / DATE ADH 1/26/16	MATERIAL 10538 2 MELT
				APPROD. / DATE REH 2/3/16	
REV	DESCRIPTION	BY / DATE	CCN	SHOT WEIGHT: 2000 LBS	NOTES: 1) WHITE, BLACK, OR YELLOW COLOR 2.) 0.97 WALL @ FLAT
				SHIPPING WEIGHT: 2002 LBS	
ALL DIMENSIONS ARE IN DECIMAL INCHES TOLERANCES UNLESS OTHERWISE SPECIFIED		THIRD ANGLE PROJECTION ANSI 14.5M		FINISH:	
POLYETHYLENE ±1% @ 68°F		METAL DECIMAL ± .125" FRACTION ± 1/4" ANGLE ± 1°			



**Den Hartog**  
INDUSTRIES, INC.

Ace Roto-Mold Injection Molding Blow Molding Sowjoy

4010 HOSPERS DRIVE S. BOX 425, HOSPERS, IOWA 51238-0425

DESCRIPTION 9000 GALLON VERTICAL TANK WITH DOME TOP	
SCALE N.S.	PART NO. VT9000-142