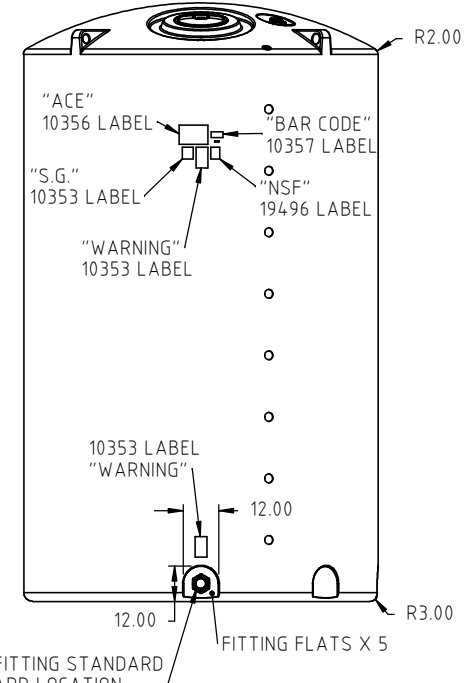
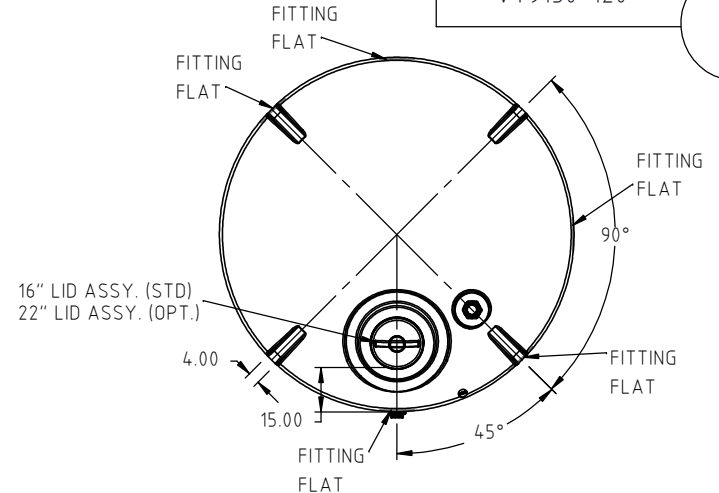
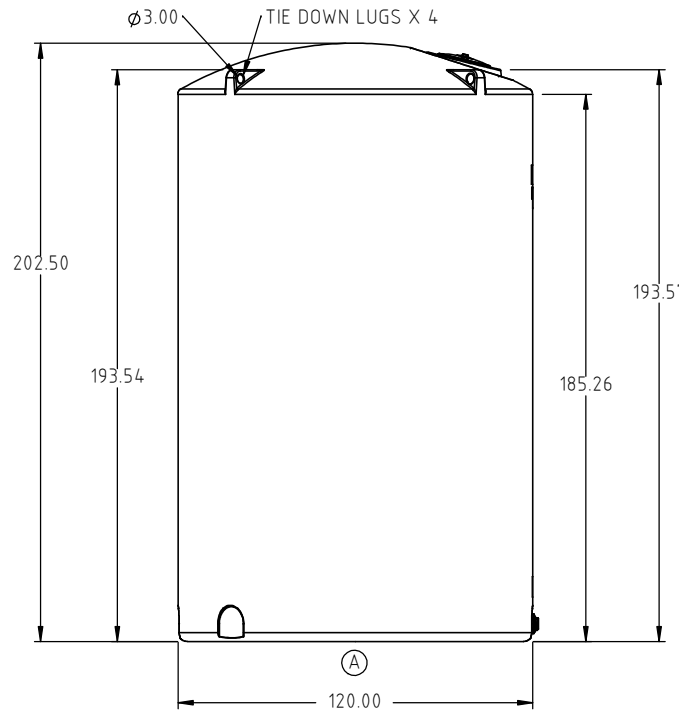
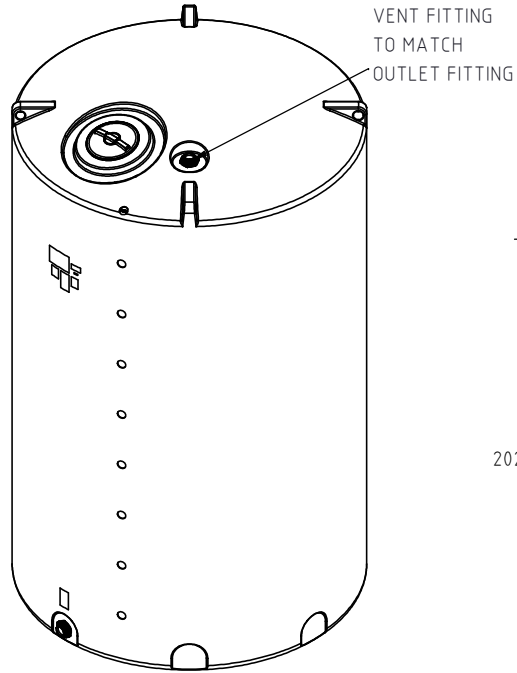


© DEN HARTOG INDUSTRIES, INC.

Copyright. All information furnished within this document, electronic file or design correspondence is the property of Den Hartog Industries, Inc. and shall not be used, disclosed to others or copied without the expressed written consent of Den Hartog Industries, Inc.

VT9150-120

C



C	PART REDRAWN FOR NEW MOLD	DHJ 2/8/17	3468	DRAWN / DATE	MATERIAL 1.) 2 MELT POWDER 10538
B	ADD 3" STANDARD FITTING AND STANDARD LOCATION.	DHJ 4/1/10	2013	DHJ 1/25/02	
A	CORRECT VIEW PERSPECTIVE. DRAWING TEMPLATE UPDATED.	DHJ 6/25/09	1895	APPRD. / DATE REH 1/25/02	
REV	DESCRIPTION	BY / DATE	CCN		
ALL DIMENSIONS ARE IN DECIMAL INCHES TOLERANCES UNLESS OTHERWISE SPECIFIED		THIRD ANGLE PROJECTION ANSI 14.5M		SHOT WEIGHT: 2200 LBS	NOTES: 1.) 1.14 WALL @ FLAT
POLYETHYLENE		METAL DECIMAL ± .125" FRACTION ± 1/4" ANGLE ± 1°		SHIPPING WEIGHT: 2202 LBS	
±1% @ 68°F				FINISH:	



**Den Hartog**  
INDUSTRIES, INC.

Aca Roto-Mold Injection Molding Blow Molding Sowjoy

4010 HOSPERS DRIVE S. BOX 425, HOSPERS, IOWA 51238-0425

DESCRIPTION	9150 GALLON VERTICAL TANK	
SCALE	N.S.	PART NO. VT9150-120