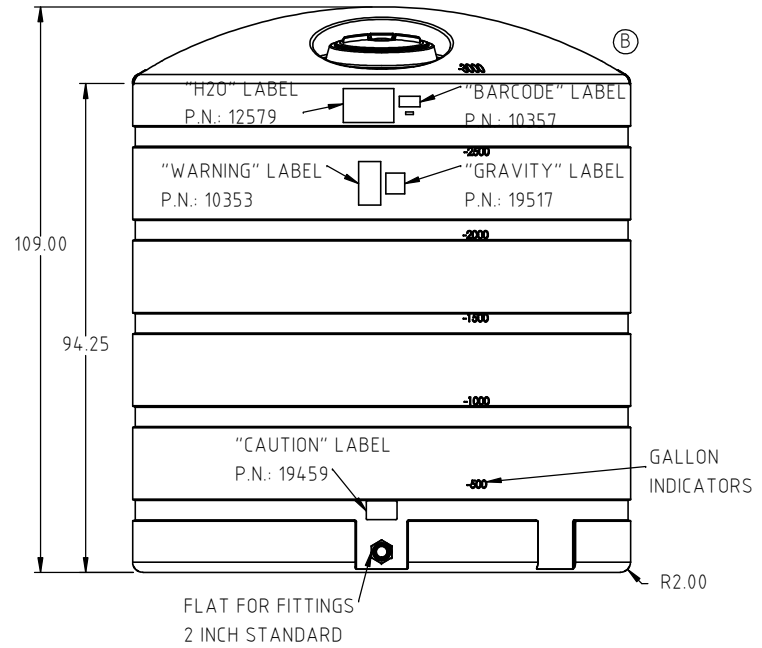
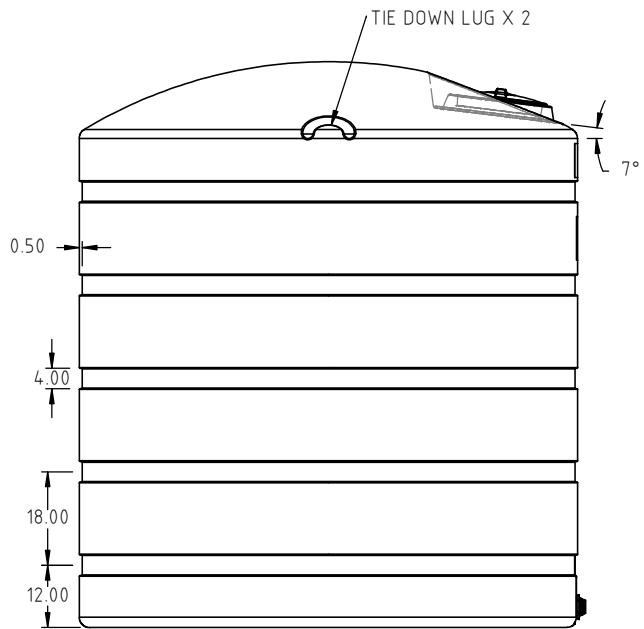
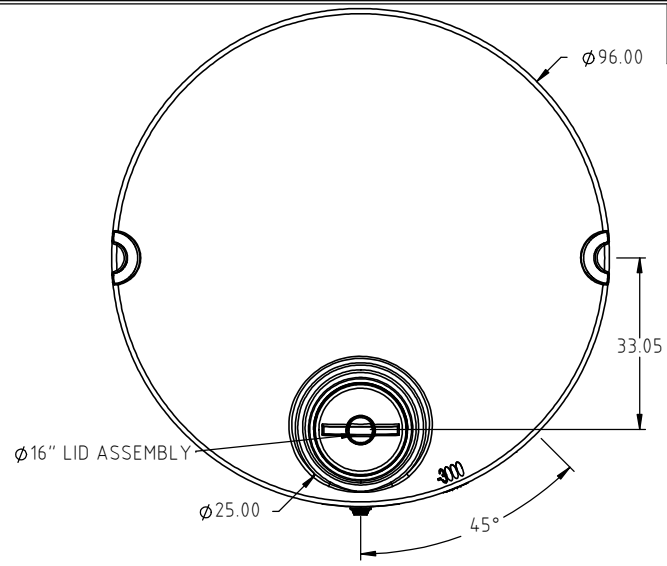


© DEN HARTOG INDUSTRIES, INC.


Copyright. All information furnished within this document, electronic file or design correspondence is the property of Den Hartog industries, Inc. and shall not be used, disclosed to others or copied without the expressed written consent of Den Hartog Industries, Inc.

W03000-VT

B



B	LABEL LOCATION CALLOUTS ADDED TO PRINT	ADH 10/2/17	3433	DRAWN / DATE DHJ 8/26/08	MATERIAL 1.) MEDIUM DENSITY POLYETHYLENE 2.) P.N. 12550
A	CAPACITY WAS 2600, HT. WAS 96.00	REH 3/20/09	1829	APPRD. / DATE REH 8/28/08	
REV	DESCRIPTION	BY / DATE	CCN	SHOT WEIGHT: 390 LBS.	NOTES: 1.) DARK GREEN COLOR
				SHIPPING WEIGHT: 392 LBS.	
				FINISH:	
ALL DIMENSIONS ARE IN DECIMAL INCHES TOLERANCES UNLESS OTHERWISE SPECIFIED		THIRD ANGLE PROJECTION ANSI 14.5M			
POLYETHYLENE ±1% @ 68°F		METAL DECIMAL ± .125" FRACTION ± 1/4" ANGLE ± 1°			



Den Hartog

INDUSTRIES, INC.

Acra Roto-Mold Injection Molding Blow Molding Sowjoy

4010 HOSPERS DRIVE S. BOX 425, HOSPERS, IOWA 51238-0425

DESCRIPTION	(A) 3000 GALLON VERTICAL WATER TANK	
SCALE	N.S.	PART NO. W03000-VT