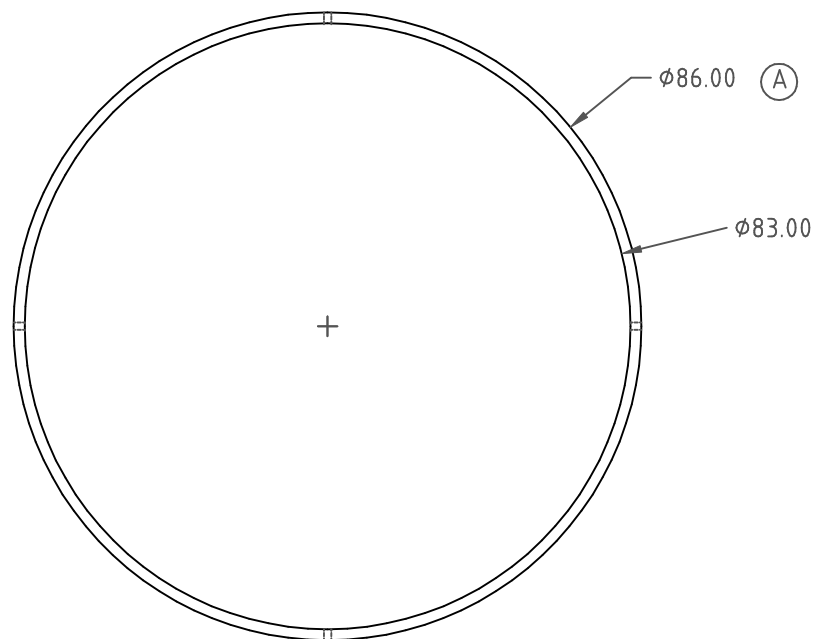


PROPRIETARY DATA

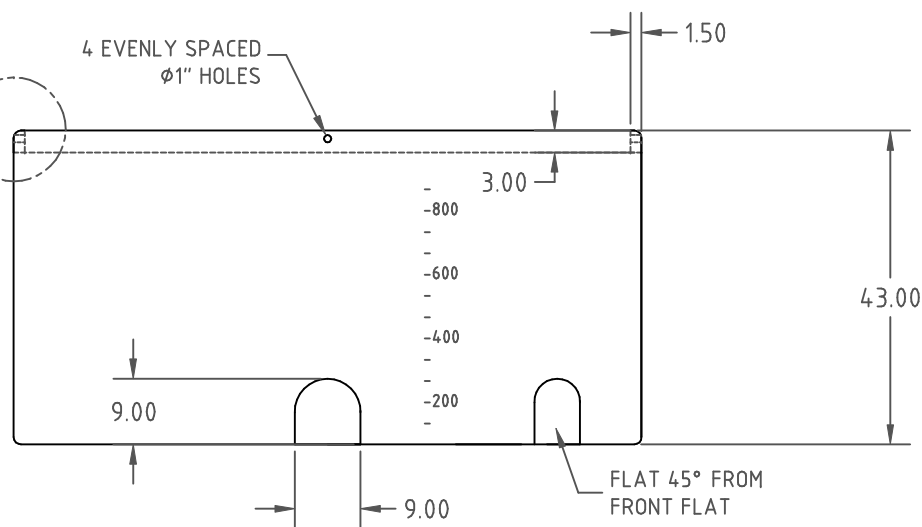
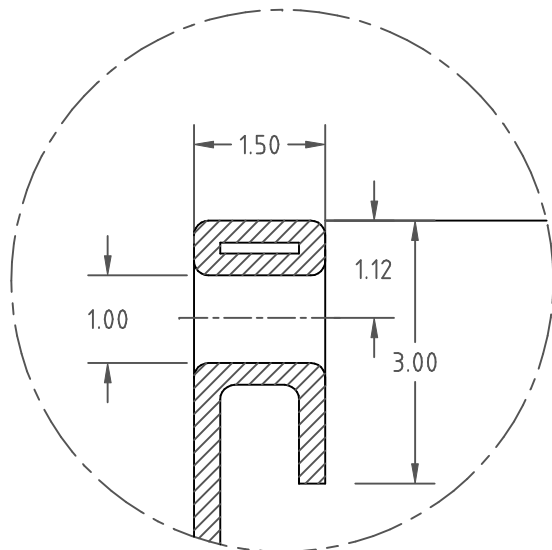
PROPERTY OF DEN HARTOG INDUSTRIES, INC. INFORMATION FURNISHED HEREIN IS THE PROPERTY OF DEN HARTOG INDUSTRIES, INC. AND SHALL NOT BE USED, DISCLOSED TO OTHERS, OR COPIED WITHOUT THE EXPRESSED WRITTEN CONSENT OF DEN HARTOG INDUSTRIES, INC. ALL RIGHTS RESERVED.

OP0900-86

B



DETAIL OF RIM (B)



B	CLARIFY THROUGH HOLE	4/8/08	DHJ		1643
A	DIAMETER WAS 85, PN WAS OP0900-85	7/31/06	NVE		
REV	DESCRIPTION	DATE	APPRD	CCN	

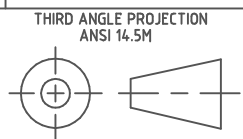
DRAWN / DATE	NVE 6/13/05
APPRD. / DATE	DHJ 6/22/05

MATERIAL
 HDPE OR EQUIVALENT
 REFERENCE MATERIAL DATA SHEET
 FOR SPECIFIC PROPERTIES.



CLIENT / DESCRIPTION
 900 GALLON OPEN TOP TANK - NO LID

ALL DIMENSIONS ARE IN DECIMAL INCHES
 TOLERANCES UNLESS OTHERWISE SPECIFIED
 + 1% @ 68° F



- NOTES:
- .190 WALL THICKNESS AT FLAT
 - SHOT WEIGHT 175 LBS.
 - SHIP WEIGHT 175 LBS.

SCALE
 N.S.

PART NO.
 OP0900-86