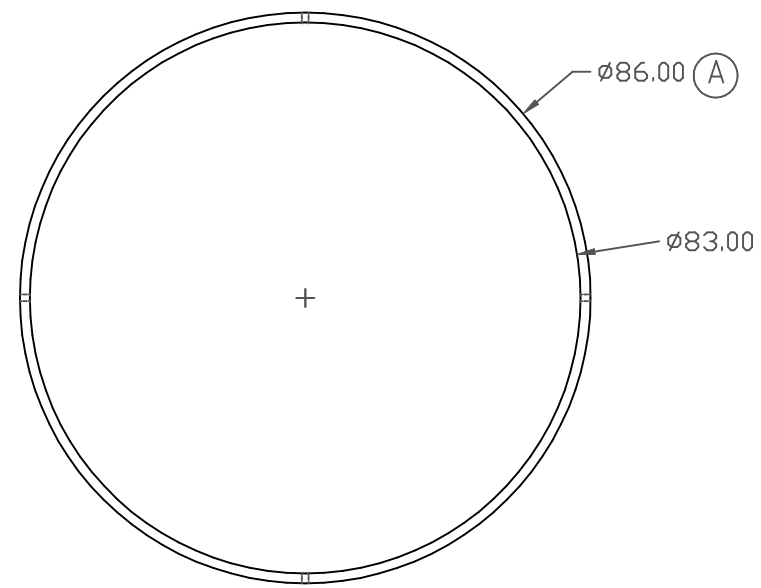


PROPRIETARY DATA

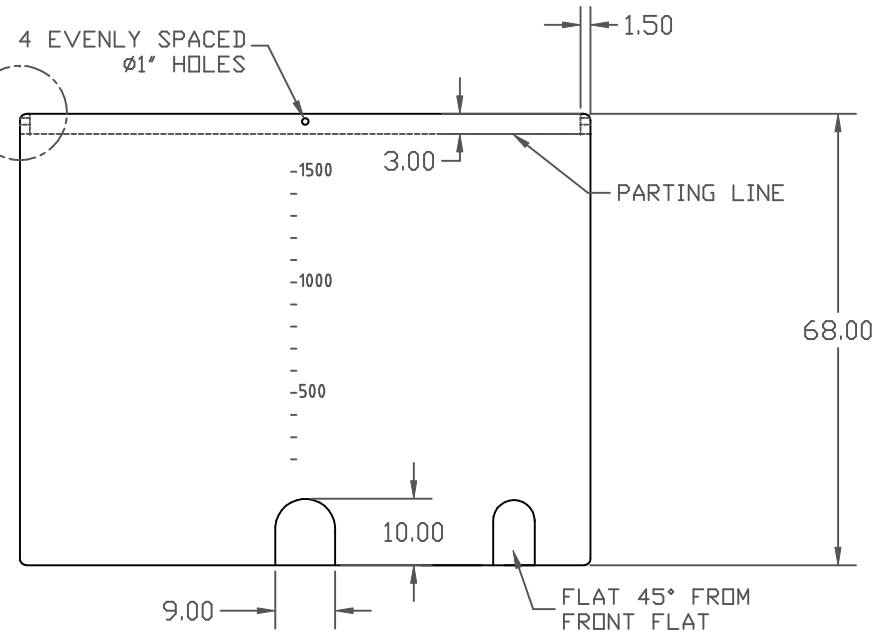
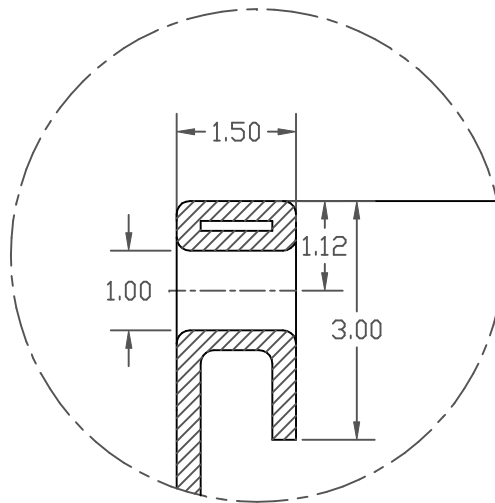
PROPERTY OF DEN HARTOG INDUSTRIES, INC. INFORMATION FURNISHED HEREIN IS THE PROPERTY OF DEN HARTOG INDUSTRIES, INC. AND SHALL NOT BE USED, DISCLOSED TO OTHERS, OR COPIED WITHOUT THE EXPRESSED WRITTEN CONSENT OF DEN HARTOG INDUSTRIES, INC. ALL RIGHTS RESERVED.

OP1500-86


B



DETAIL OF RIM (B)



					DRAWN / DATE NVE 6/13/05		MATERIAL	
B	CLARIFY THROUGH HOLES IN RIM 4/9/08	DHJ		1643	APPRD. / DATE DHJ 6/22/05		HDPE OR EQUIVALENT REFERENCE MATERIAL DATA SHEET FOR SPECIFIC PROPERTIES.	
A	DIA WAS 85, PN WAS OP1500-85	7/31/06	NVE					
REV	DESCRIPTION	DATE	APPRD	CCN				
ALL DIMENSIONS ARE IN DECIMAL INCHES TOLERANCES UNLESS OTHERWISE SPECIFIED + 1% @ 68° F -					THIRD ANGLE PROJECTION ANSI 14.5M 		NOTES: 1. .300 WALL 2. SHOT WEIGHT 240 LBS. 3. SHIP WEIGHT 240 LBS.	



## ACE ROTO-MOLD

A DIVISION OF DEN HARTOG INDUSTRIES, INC.  
 4010 HOSPERS DRIVE SOUTH, BOX 425, HOSPERS, IOWA 51238

CLIENT / DESCRIPTION  
**1500 GALLON OPEN TOP TANK - NO LID**

SCALE N.S.	PART NO. OP1500-86
---------------	-----------------------