

Ace Roto-Mold

Product *Change* Notification

16 Gallon Blow Molded Specialty Tank

Production of the 16 gallon Specialty Tank in white and yellow will now be switched to the blow molding process. Colors other than white and yellow will continue to be rotationally molded. Product is a specialty tank for indoor or outdoor, stationary or transportable applications.



FEATURES:

- Manufactured from medium density polyethylene with U.V. stabilizers.
- Standard color is white or yellow.
- Four 5/16-18 threaded inserts are provided on the bottom of the tank to facilitate mounting.
- 5" vented lid is standard.
- Standard weight tank is designed for chemicals with a specific gravity of 1.70.

SPECIFICATIONS:


Part number: SPBM0016-MM

Dimensions: 15" wide x 21" long x 15" tall

Weight : 10 lbs.

September 24, 2020

 **Den Hartog**
INDUSTRIES, INC.
"Always at Your Service"

 **Warning:** Cancer and Reproductive Harm.
www.p65Warnings.ca.gov

Ph: 800-342-3408
Fax: 712-752-8222

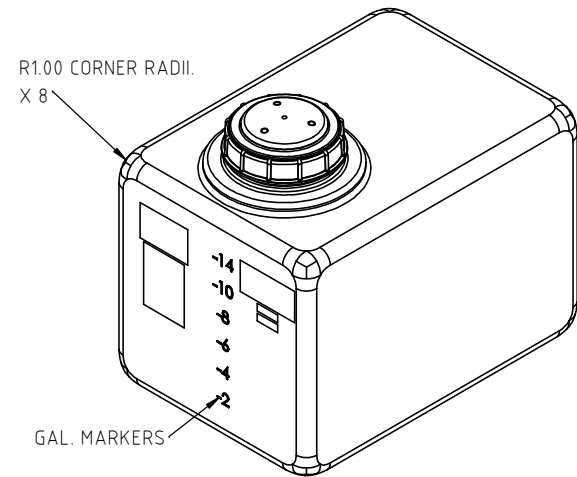
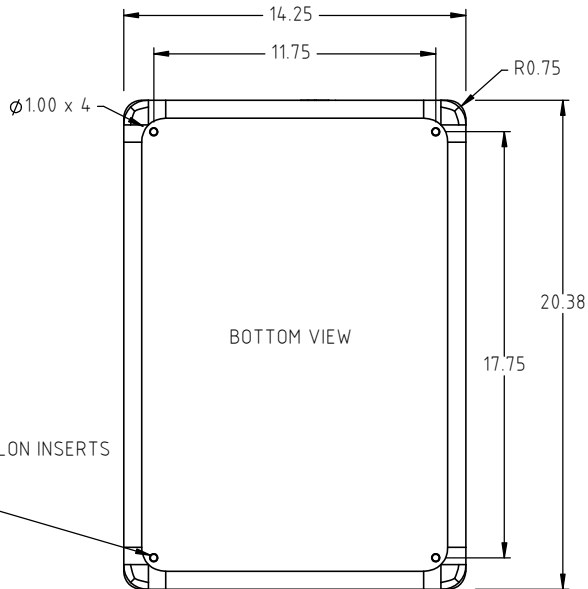
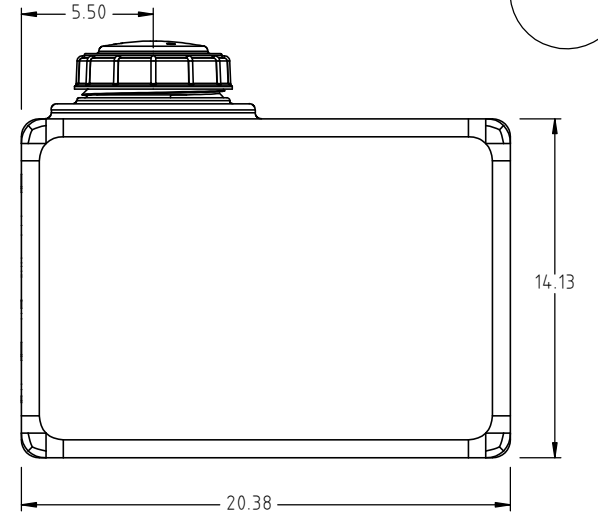
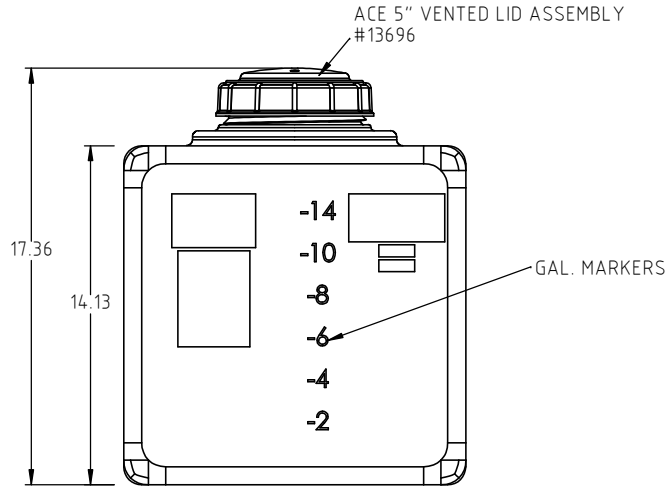
www.denhartogindustries.com
sales@denhartogindustries.com

4010 Hospers Dr. South
Hospers, IA 51238

© DEN HARTOG INDUSTRIES, INC.

Copyright. All information furnished within this document, electronic file or design correspondence is the property of Den Hartog Industries, Inc. and shall not be used, disclosed to others or copied without the expressed written consent of Den Hartog Industries, Inc.

SPBM0016-MM



				DRAWN / DATE ADH 1/20/20	MATERIAL 80001
				APPROD. / DATE REH 4/10/20	
REV	DESCRIPTION	BY / DATE	CCN	SHOT WEIGHT: 9 LBS	NOTES: 1.) NATURAL COLOR
				SHIPPING WEIGHT: 10 LBS	
				FINISH:	
ALL DIMENSIONS ARE IN DECIMAL INCHES TOLERANCES UNLESS OTHERWISE SPECIFIED		THIRD ANGLE PROJECTION ANSI 14.5M			
POLYETHYLENE ±1% @ 68°F					
METAL DECIMAL ± .125" FRACTION ± 1/4" ANGLE ± 1°					



Den Hartog
INDUSTRIES, INC.

Ace Roto-Mold Injection Molding Blow Molding Sowjoy

4010 HOSPERS DRIVE S. BOX 425, HOSPERS, IOWA 51238-0425

DESCRIPTION ACE 16 GALLON RECTANGULAR TANK - BLOW MOLDED	
SCALE N.S.	PART NO. SPBM0016-MM