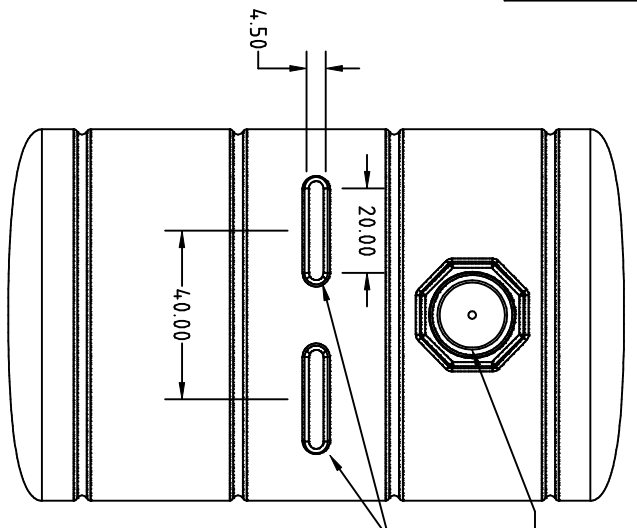
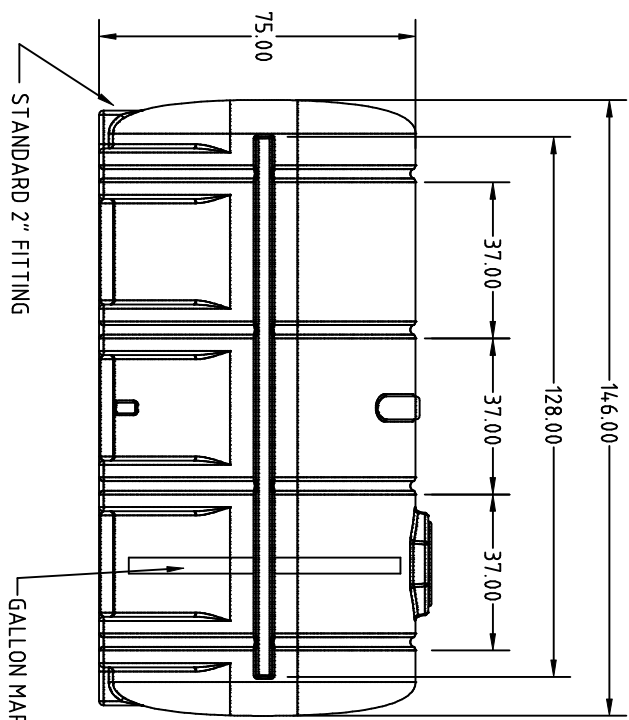
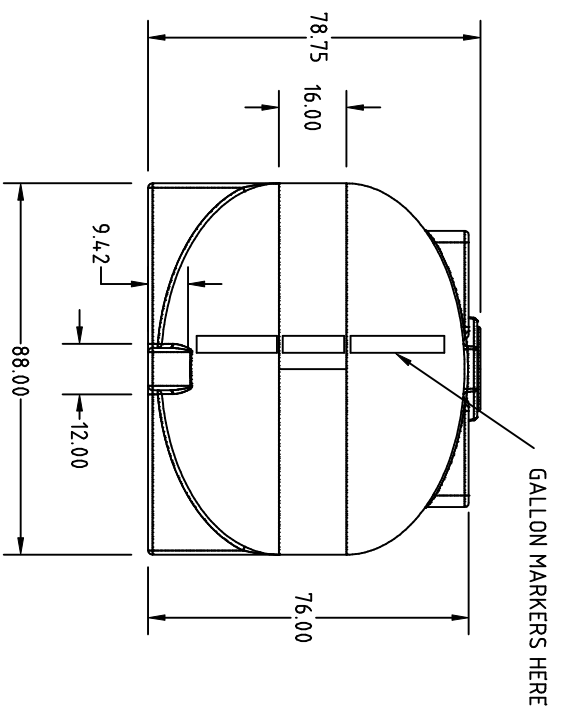


Copyright: All information furnished within this document, electronic file or design correspondence is the property of Den Hartog Industries, Inc. and shall not be used, disclosed to others or copied without the expressed written consent of Den Hartog Industries, Inc.



10528 16" LID
10534 LANYARD

INSTALL 4 EACH FS3250-BAF BAFFLES HERE



B	TOL. CORRECTED CCN1813	3/12/09 REH
A	CHANGE PART #	4/6/06
REV	DESCRIPTION	DATE APPRD

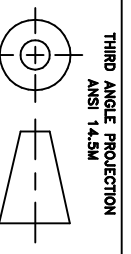
DRAWN / DATE
DHJ/9/22/04

APPRD. / DATE
REH/9/22/04

MATERIAL / SHOT WEIGHT
M111 M134 U625 P938
1100

NOTES:
1. .500 NOMINAL WALL
2. BLUE, BLACK, WHITE
OR YELLOW COLOR

ALL DIMENSIONS ARE IN DECIMAL INCHES
TOLERANCES UNLESS OTHERWISE SPECIFIED
+ 1% @ 68° F



ACE ROTO-MOLD
A DIVISION OF DEN HARTOG INDUSTRIES, INC.
4010 HOSPERS DRIVE S., BOX 425, HOSPERS, IA 51238

CLIENT / DESCRIPTION
ACE 3250 GALLON ELLIPTICAL LEG TANK

SCALE
N.S.

PART NO.
FS3250-88